

FuelTech



OWNER'S MANUAL

MANUAL DE USUARIO | MANUAL DO USUÁRIO

PEAK AND HOLD PRO
INJECTOR DRIVER

1. Index

2.	Presentation	2
3.	Characteristics	4
3.1	Safety	4
4.	Warranty terms	5
5.	Installation	6
5.1	Wiring diagram	6
6.	P&H PRO Injector Driver setups examples	8
6.1	4 injectors setup	8
6.2	8 injectors setup	8
6.3	Injectors current sheet	9
6.4	FuelTech Peak & Hold upgrade to PRO Injector Driver	9
7.	P&H PRO Injector Driver Configuration	9
7.1	Configuration screen index	10
7.2	Safety protections	11
7.3	ECU safety protection	14
7.4	Status Events Diagnosis	14
7.5	Datalogger channels	15
8.	Firmware update	16
9.	FTCAN 2.0 protocol	17

2. Presentation

The Peak and Hold PRO Injector Driver is FuelTech's most advanced current control module, developed to drive low impedance injectors. It features eight channels for injectors, 26 way sealed automotive connector and many engine protection levels in case a injector fails.

High flow racing injectors usually have low impedance internal coils (less than 7Ω). That allows lower response time, meaning lower dead-time, demanding greater electric current to be driven and requiring active current control, in which a greater current with maximum power is applied until the needle opens mechanically ("peak" current) followed by lower current to "hold" the injector open, otherwise would cause injector overheat.

Peak and Hold PRO Injector Driver's current control allows higher current for injector opening, instantly reducing and holding current to, usually, around 1/4 the initial peak current. Therefore reducing injectors deadtime (time it takes for actual fuel injection once it has been energized).

This equipment has a precise current control and remains unaffected by voltage variation, maintaining perfect control in any situation or electrical vehicle anomaly.

The Peak & Hold PRO Injector Driver's "peak" and "hold" current are individually configurable.

The Peak & Hold PRO Injector Driver is compatible with other ECU's in the market. Please call FuelTech Tech Support for mor info.

Why is current control needed?

Deadtime reduction is possible by applying max current during injector opening, improving the response time, maintaining linearity among the injectors.

Limitation of the nominal current to 1/4 the opening current is necessary to avoid injector internal coil overheat, extending injector's durability.

Limitation of the nominal current is also very important in the injector closing, since the lower the energy stored in the coil, the shorter the time required to mechanically close the injector. Therefore is possible to achieve a fuel injection linearity even when operating at 80% of its capacity, when the available time to open and close is very short.

Over energized internal coils, caused by, for example, a defective control of the “hold” current, or in cases where this control does not exist, the injector will stuck open before reaching full capacity, losing its ability to operate over the range of 70% opening.

3. Characteristics

Dimension:

- Width: 3.54 in (90 mm)
- Length: 1.77 in (45mm)
- Height: 4.5 in. (115mm)
- Distance between holes: 4.114in
- Material: Anodized Aluminum and Plastic

EN

Electrical characteristics

- 8 signal inputs
- 8 injectors outputs
- Peak and hold current individually configurable via FTManager (**default current 8A/2A**)
- Power supply: from 9 to 30V
- FuelTech CAN protocol
- Automotive connector, 26 way.

3.1 Safety

Whenever the Peak and Hold PRO Injector Driver is under operation the case might warm up, avoid touching when it's surface is hot.



WARNING

We recommend the Driver to be installed at a ventilated place.

4. Warranty terms

The use of this equipment implies in total accordance with the terms described in this manual and exempts the manufacturer from any responsibility regarding product misuse.

This product must be installed and tuned by specialized auto shops or professionals with experience on engine tuning.

The oversight of any of the warnings or precautions described in this manual can cause engine damage and lead to warranty void of this product warranty.

Before starting any electrical installation, disconnect the battery.

This product is not certified for aeronautic purposes or any flying vehicles, as it has not been designed for such applications.

In some countries where an annual inspection of vehicles is enforced, no modification in the OEM ECU is permitted. Be informed about local laws and regulations prior to the product installation.

Important warning for proper installation of this product: Always remove and insulate unused wires. NEVER roll up excess wiring as this may create an antenna that captures electromagnetic interference that may generate product malfunction.

Limited Warranty

This product warranty is limited to One year from the purchase date, only covering manufacturing defects and requiring purchase invoice presentation. Damages caused by misuse of the unit are not covered by the warranty. Warranty void analysis is done exclusively by FuelTech technical support team.

Manual Version 1.5 – April/2024

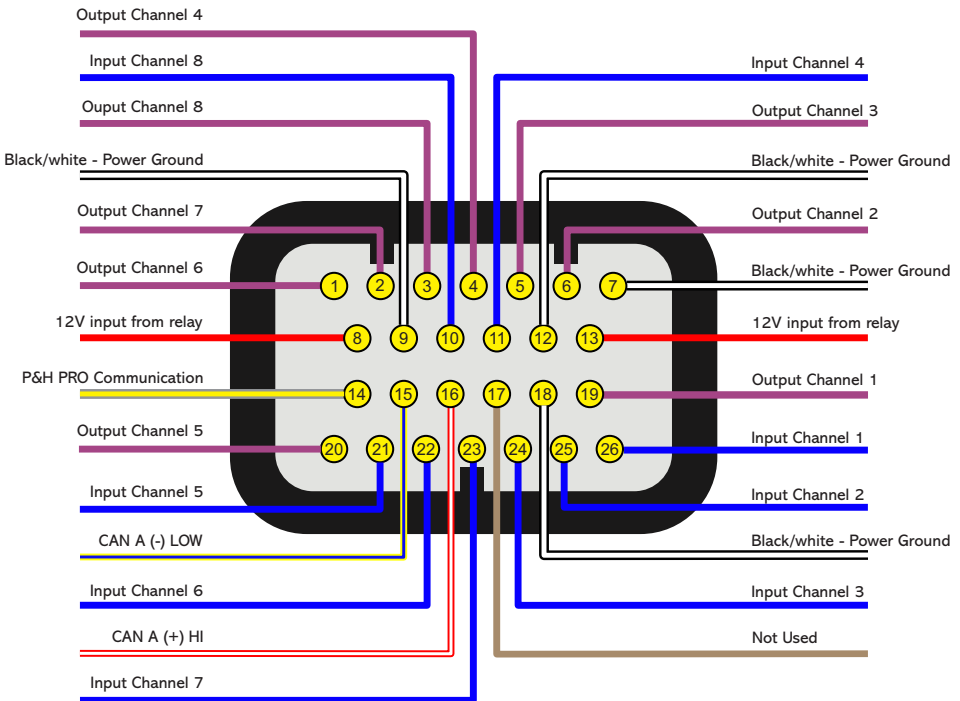
5. Installation

Battery must be unplugged for the installation. It is very important that the cable length is the shortest possible and that all exceeding unused parts of wires are cut off. Never roll up the excess of any wire in the cable; by doing so, interference problems, which are very usual with any electronic device, are avoided.

The harness must be protected from contact with sharp vehicle body parts that might damage the wires and cause short circuit. Watch out for wires passing through holes, and use rubber protectors or any other kind of protective material to prevent any damage to the wires. At the engine compartment, pass the wires through places where they will not be subject to excessive heat and will not obstruct any mobile parts in the engine. Always, when possible, use wires sleeves.



5.1 Wiring diagram



Peak and Hold PRO Injector Driver

Table

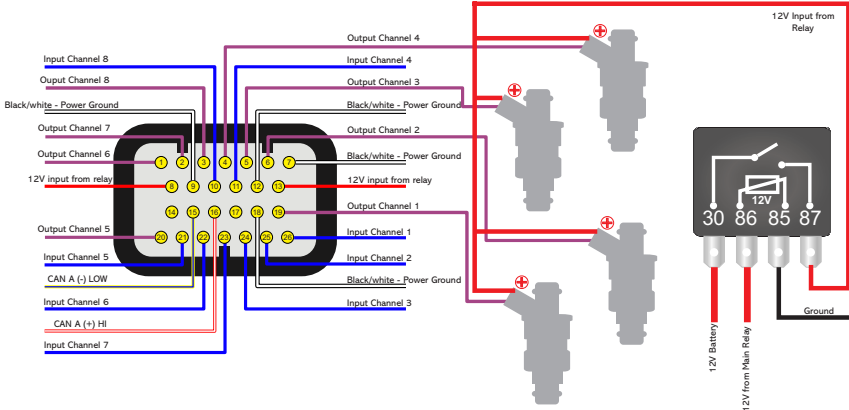
Pin	Wire color	Function	Note
1	Violet	Channel #6 output	Connected to the injector(s) (Negative pulse to injectors)
2		Channel #7 output	
3		Channel #8 output	
4		Channel #4 output	
5		Channel #3 output	
6		Channel #2 output	
7	Black/White	Power ground (Engine block or head)	Must be directly connected to chassis ground; Cannot be wired together with signal ground from the ECU.
8	Red	Power input from relay (+12V)	Connected to pin 87 at the relay
9	Black/White	Power ground (Engine block or head)	Must be directly connected to chassis ground; Cannot be wired together with signal ground from the ECU.
10	Blue	Input Channel #8	Connected to ECU Injector Outputs (blue)
11		Input Channel #4	
12	Black/White	Power ground (Engine block or head)	Must be directly connected to chassis ground; Cannot be wired together with signal ground from the ECU.
13	Red	Power input from relay (+12V)	Connected to pin 87 at the relay
14	Not Used		
15	Yellow/Blue	CAN LOW (-)	Connected to FuelTech CAN.
16	White/Red	CAN HI (+)	
17	Brown	Not Used	Not Used
18	Black/White	Power ground (Engine block or head)	Must be directly connected to chassis ground; Cannot be wired together with signal ground from the ECU.
19	Violet	Channel #1 output	Connected to the injector(s) (Negative pulse to injectors)
20		Channel #5 output	
21	Blue	Input Channel #5	Connected to ECU Injector Outputs (blue)
22		Input Channel #6	
23		Input Channel #7	
24		Input Channel #3	
25		Input Channel #2	
26		Input Channel #1	

EN

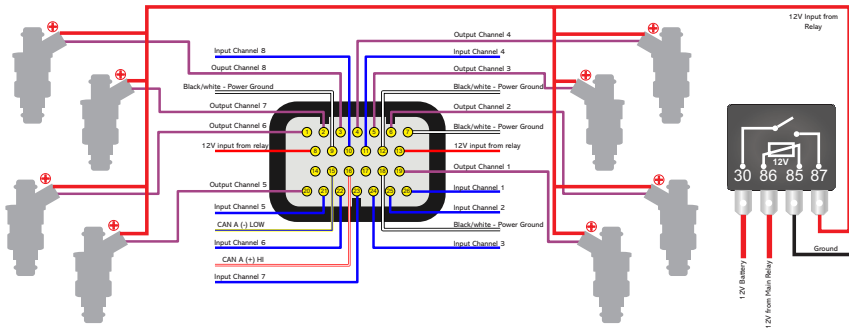
6. P&H PRO Injector Driver setups examples

The examples show some of the setup possibilities. High impedance injectors can be used the same way.

6.1 4 injectors setup



6.2 8 injectors setup



ATTENTION

The P&H power supply (pins 8 and 13) and the fuel injectors power supply must come from a different relay to the correct operation of the P&H PRO Injector Driver.

6.3 Injectors current sheet

Brand / Model	PEAK Current	HOLD Current
Bosch 160lb/h	2A	0,5A
Bosch 160lb/h (2 injectors per channel)	4A	1A
Bosch 160lb/h (4 injectors per channel)	8A	2A
Siemens 220-225lb/h	4A	1A
Siemens 220-225lb/h (2 injectors per channel)	8A	2A
Precision 550lb/h	8A	2A
Moran and Billet Atomizer	8A	2A
FT Injector 230, 320, 520, 720 and 820lb/h	8A	2A

EN

6.4 FuelTech Peak & Hold upgrade to PRO Injector Driver

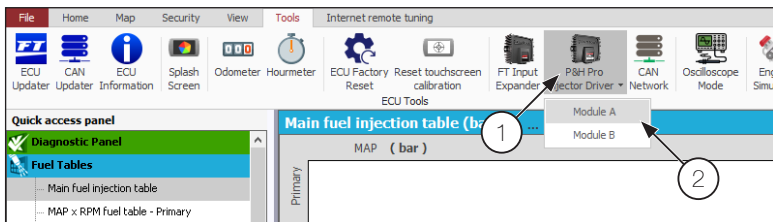
Due to a improved strategy of injector control, when upgrading from FuelTech's Peak and Hold to the new PRO Injector Driver some fuel map tune will be needed.

- Idle injection time has to be adjusted.
- If necessary, adjust injection time at the entire map.

7. P&H PRO Injector Driver Configuration

It is easy to configure the P&H PRO Injector Driver using FTManager software. Go to the *"External Devices"* section at the Home tab (1).

Click at P&H PRO icon and select either *"Module A"* or *"Module B"* if using two drivers (2).



Peak and Hold PRO Injector Driver

7.1 Configuration screen index

- Output Configuration:** define the channels in use and set Peak and Hold current.
 - Channel:** Check the boxes for the channels that are in use.
 - Actuation:** Set the cylinder number wired to that channel.
 - Preset:** Select Peak and Hold current from the options. Selecting “Custom” allows typing Peak and Hold current.
- Current limits**
 - Peak min and max: 2A/12A
 - Hold min and max: 0.5A/3A
- Safety protections:** Select the protection level desired.
- Serial number:** Allows selecting a serial number and call it “Driver A” or “Driver B”.
- Top right panel:** The buttons at the top right are for reading, writing and erasing the driver setup.
- Information:** Some info is available at this screen, such as Hardware and software version, as well as the driver serial number.




P&H Pro Injector Driver -Module A

Channel	Actuation	Preset	Peak	Hold
# 1 <input type="checkbox"/>	Cylinder 1 - Primary	8A/2A	8.0	2.0
# 2 <input checked="" type="checkbox"/>	Cylinder 2 - Primary	2A/0.5A 4A/1A	8.0	2.0
# 3 <input checked="" type="checkbox"/>	Cylinder 3 - Primary	8A/2A Custom	8.0	2.0
# 4 <input checked="" type="checkbox"/>	Cylinder 4 - Primary	8A/2A	8.0	2.0
# 5 <input checked="" type="checkbox"/>	Cylinder 1 - Secondary	8A/2A	8.0	2.0
# 6 <input checked="" type="checkbox"/>	Cylinder 2 - Secondary	8A/2A	8.0	2.0
# 7 <input checked="" type="checkbox"/>	Cylinder 3 - Secondary	8A/2A	8.0	2.0
# 8 <input checked="" type="checkbox"/>	Cylinder 4 - Secondary	8A/2A	8.0	2.0

Buttons: Read driver, Write driver, Erase configuration, Exit

Set as a module: Serial number:



Safety protections

Failure	ECU safety alert	Shut driver off
Injector disconnected	<input checked="" type="checkbox"/>	<input type="checkbox"/>
Injector short-circuited	<input checked="" type="checkbox"/>	<input type="checkbox"/>
Hardware overheat warning	<input checked="" type="checkbox"/>	<input type="checkbox"/>
Driver self check	<input checked="" type="checkbox"/>	<input type="checkbox"/>

ECU safety alert: The driver sends the fault to the ECU. The P&H Pro Injector Driver alert must be enabled on the ECU map to indicate the action to be taken.
Shut driver off: The driver disables its outputs in case of failure (does not rely on the ECU)

Firmware version:
Hardware version:
Serial number:

Disconnected

Outputs configuration

Assign the channels at P&H PRO Injector Driver according to the outputs assigned at the ECU map.

The driver supports (although is not recommended) utilizing distinct impedance injectors at the same driver, just set the Peak and Hold current for each injector individually.

7.2 Safety protections

The PRO Injector Driver protections allows ECU alert or even module shutdown. Select one or all alerts, as desired.

ECU safety Alert: Will use CAN to send an alert to the ECU. The ECU will act (screen alert only, engine shut off) according with the ECU Alert Settings, if activated and configured.

Shut driver off: Shuts off the PRO Injector Driver.



IMPORTANT

When selecting Shut driver off the Driver will shut off when detect failure, this will shut off the engine by fuel cut off.



NOTE

This protections are only for the P&H PRO Injector Driver.

The screenshot displays the software interface for the P&H Pro Injector Driver. On the left is a 'Quick access panel' with categories like Diagnostic Panel, Fuel Tables, Ignition Tables, and Sensors and Calibration. The main area is divided into 'Outputs' and 'Safety protections'.

Outputs configuration:

Channel	Action	Preset	Peak	Hold
# 1	Cylinder 1 - Primary	BA/ZA	8.0	2.0
# 2	Cylinder 2 - Primary	BA/ZA	8.0	2.0
# 3	Cylinder 3 - Primary	BA/ZA	8.0	2.0
# 4	Cylinder 4 - Primary	BA/ZA	8.0	2.0
# 5	Cylinder 1 - Secondary	BA/ZA	8.0	2.0
# 6	Cylinder 2 - Secondary	BA/ZA	8.0	2.0
# 7	Cylinder 3 - Secondary	BA/ZA	8.0	2.0
# 8	Cylinder 4 - Secondary	BA/ZA	8.0	2.0

Safety protections:

Failure	ECU safety alert	Shut driver off
Injector disconnected	<input type="checkbox"/>	<input type="checkbox"/>
Injector short-circuited	<input checked="" type="checkbox"/>	<input type="checkbox"/>
Hardware overheat warning	<input checked="" type="checkbox"/>	<input type="checkbox"/>
Driver self check	<input checked="" type="checkbox"/>	<input type="checkbox"/>

ECU safety alert: The driver sends the fault to the ECU. The P&H Pro Injector Driver alert must be enabled on the ECU map to indicate the action to be taken.

Shut driver off: The driver disables its outputs in case of failure (does not rely on the ECU)

Peak and Hold PRO Injector Driver

Injector disconnected

This alert has special settings to detect a disconnected or faulty injector. Marking the “check box” a new configuration tab will appear, which is divided into two sections.

Minimum delay to detection: To detect a disconnected injector, the Peak and Hold Pro Injector Driver needs the setting of a minimum detection time (sufficient time to reach 25% of the Peak current). This time can be calculated automatically when selecting “Automatic” mode.



IMPORTANT

Automatic calibration must be done with engine running and injectors under pulsing condition long enough to reach ¼ of the configured peak current.

When changing injectors or changing the current configuration, it is necessary to perform this calibration again by clicking on the “Recalibrate” button.



IMPORTANT

Recalibration will Only occur with the engine running and injectors pulsing long enough to reach ¼ of the configured peak current.

Calibration process:

1. Click Calibrate (or Recalibrate);
2. Start up the engine, make sure the injectors are pulsing;
3. Click Read Driver and confirm the detection time;

There is also a manual mode where the tuner sets the time in milliseconds for this parameter.



IMPORTANT

The configured time when using manual mode must necessarily be longer than the time needed to reach 25% of the peak current. Otherwise, false disconnected injector detections may occur.

The status bar will show if the injector has been calibrated correctly.

If the status bar indicates “Error” a new calibration can be attempted by clicking “Recalibrate” button. By clicking on this button all outputs configured as “Automatic” mode will be recalibrated.

Output configuration

Channel	Actuation	Preset	Hold
# 1	<input checked="" type="checkbox"/> Cylinder 1 - Primary	4A/1A	4.0
# 2	<input checked="" type="checkbox"/> Cylinder 2 - Primary	4A/1A	4.0
# 3	<input checked="" type="checkbox"/> Cylinder 3 - Primary	4A/1A	4.0
# 4	<input checked="" type="checkbox"/> Cylinder 4 - Primary	4A/1A	4.0
# 5	<input type="checkbox"/> Cylinder 5 - Primary	8A/2A	8.0
# 6	<input type="checkbox"/> Cylinder 6 - Primary	8A/2A	8.0
# 7	<input type="checkbox"/> Cylinder 7 - Primary	8A/2A	8.0
# 8	<input type="checkbox"/> Cylinder 8 - Primary	8A/2A	8.0

Safety protections

Minimum delay to detection

#	Mode	Delay	Status
# 1	Manual	1.400 ms	Predefined
# 2	Automatic	0.000 ms	Not calibrated
# 3	Automatic	0.000 ms	Not calibrated
# 4	Automatic	0.000 ms	Not calibrated
# 5	Automatic	0.000 ms	Not used
# 6	Automatic	0.000 ms	Not used
# 7	Automatic	0.000 ms	Not used
# 8	Automatic	0.000 ms	Not used

Pre-crank detection

Enabled 0.6 ms

Recalibrate

Firmware version: 1.20.00
Hardware version: 1.4
Serial number: []

EN

Pre-crank detection: This option can be used when the minimum time for injector detection is equal to or greater than the map time under idle condition. The test is performed every time the module is turned on before the first injection pulse.

If the engine is started before the test is finished the message “*Injectors test not run*” will be displayed on the ECU screen.

Testing is recommended only in cases where the automatic test does not work.

To activate, mark the check box “Enabled” and define the test time in milliseconds.



IMPORTANT

This time is the pulse size that the P&H PRO Injector Driver will apply to the injector, so it should be as small as possible in order to avoid opening the injector and, consequently, injecting fuel with the engine off

Peak and Hold PRO Injector Driver

P&H Pro Injector Driver - Module A

Output configuration

Channel	Actuation	Preset	Hold
# 1 <input checked="" type="checkbox"/>	Cylinder 1 - Primary	4A/1A	4.0 2.0
# 2 <input checked="" type="checkbox"/>	Cylinder 2 - Primary	4A/1A	4.0 1.0
# 3 <input checked="" type="checkbox"/>	Cylinder 3 - Primary	4A/1A	4.0 1.0
# 4 <input checked="" type="checkbox"/>	Cylinder 4 - Primary	4A/1A	4.0 1.0
# 5 <input type="checkbox"/>	Cylinder 5 - Primary	8A/2A	8.0 2.0
# 6 <input type="checkbox"/>	Cylinder 6 - Primary	8A/2A	8.0 2.0
# 7 <input type="checkbox"/>	Cylinder 7 - Primary	8A/2A	8.0 2.0
# 8 <input type="checkbox"/>	Cylinder 8 - Primary	8A/2A	8.0 2.0

Safety protections

Protections: **Injector disconnected**

Minimum delay to detection


Mode	Delay	Status
# 1 Manual	1.400 ms	Predefined
# 2 Automatic	0.000 ms	Not calibrated
# 3 Automatic	0.000 ms	Not calibrated
# 4 Automatic	0.000 ms	Not calibrated
# 5 Automatic	0.000 ms	Not used
# 6 Automatic	0.000 ms	Not used
# 7 Automatic	0.000 ms	Not used
# 8 Automatic	0.000 ms	Not used

Pre-crank detection

Enabled
0.6 ms

Read driver Write driver Erase configuration Exit

Set as a B module Serial number:



Firmware version: 1.20.00

Hardware version: 1.4

Serial number:

7.3 ECU safety protection

Once the PRO Injector Driver protection have been configured, the ECU Alert Settings should be configured.

- Open the FTManager latest version software and Read ECU.
- Go to Alert Settings, at the left panel
- Activate and select the action for both P&H PRO Injector Driver.
- Write ECU

ECU alerts allows choosing between screen alert only, safe mode, or engine shut off

Alerts Settings

The Alerts will be realized after 0.2 second of problem condition and they will be checked after 2 seconds of engine running to prevent false triggering after start.

Each mode RPM limiter: 2500 RPM

Over Rev: Enabled

RPM: 8000 RPM

Injector duty cycle: Enabled

Duty cycle alert: 100 %

Overload: Enabled

Overheat alert: 87.8 °C

High EGT: Enabled

Exhaust gas temperature (EGT): 1472 °F

High of pressure: Enabled

Maximum of pressure: 145.0 psi

Low of pressure: Enabled

Minimum of pressure: 7.32 psi

RPM time: 0.2 s

Minimum of pressure @ RPM: Enabled

Minimum of pressure: 43.5 psi

RPM: 3500 RPM

Low EGT: Enabled

ECU increase rate: Enabled

ECU increase rate alert: 392 RPM/s

Engine temperature: Enabled

Temperature alert above: 212 °F

Low fuel pressure: Enabled

Minimum fuel pressure: 21.8 psi

Base fuel pressure: Enabled

Base fuel pressure: 43.5 psi

Allowed range: 11.6 psi

Fueler overused: Enabled

Plus fuel sensor error: Enabled

Overheat by its ethanol: Enabled

Engine RPM reading error: Enabled

EGate temperature: Enabled

P&H Pro Injector Driver

Enabled

Action: Warning only

Defines ECU action in case of Fuel Pro Injector Driver failure

7.4 Status Events Diagnosis

Message	Possible Cause	Solution
Driver Self Check	PRO Injector Driver internal temperature sensor anomaly was detected	Call FuelTech Support to send the PRO Injector Driver for inspection.
Unplugged Injector	Injector failure or Injector duty-cycle at 100%	Check the injector
Injector short-circuit	Misfired injector or harness failure.	Check harness and injector connector
Channel Overheat	Overheat at one specific channel	Check the module installation spot, we recommend a high ventilation spot

EN

7.5 Datalogger channels

The P&H PRO Injector Driver features many logging channels for monitoring various module parameters.

P&H PRO A - Supply voltage: Shows the voltage at the Driver module.

P&H PRO A - internal temp 1 and 2: records PRO Driver internal temperature

P&H PRO - time to Peak (Cil X / A): Records the time it takes to reach the Peak current at each injector. If the current does not reach configured Peak, the time considered will be -1 (indicated as ---).

If using two P&H PRO Injector Drivers there will be duplicated logging channels, differentiated by "A" and "B"

high impedance injectors connected to the Peak and Hold Pro might not reach current peak during it's operation, so time to Peak diagnostic will result -1 (indicated as ---).

8. Firmware update

This feature allows for firmware updates, when available, for modules connected to FuelTech CAN.

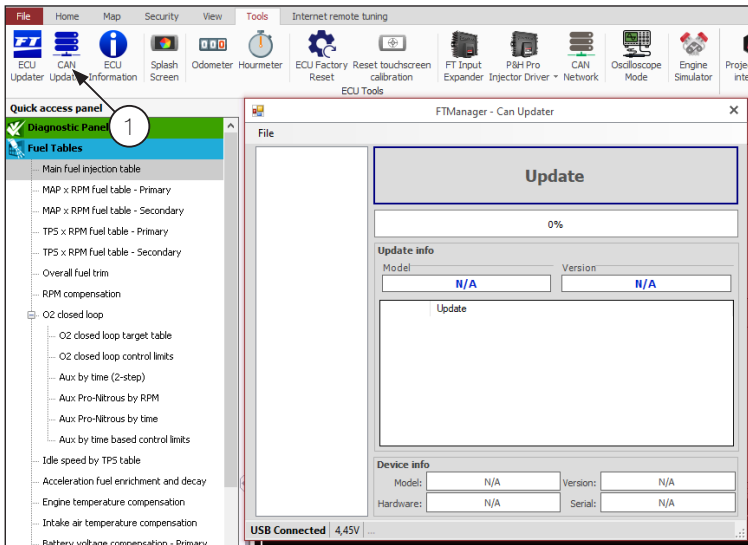
To check for updates, follow the steps below:

- Open FTManager software
- At “Tools” tab click at the “Can Updater” icon (1).
- Select the product to be updated and click at the “Update” button.
- The screen will show Version and Serial Number for the selected module.
- Wait until the update is finished and unplug the USB cable.
- Turn the vehicle switch on and check if the update was successful.



IMPORTANT

Do not update the module with the engine running.



9. FTCAN 2.0 protocol

Peak and Hold PRO Injector Driver has an advanced diagnosis system for malfunctions, faults and problems. This helps a lot to diagnose and monitor the functions of your ignition system. When used in conjunction with a FuelTech PowerFT series ECU (FT450 or higher), this programming is already built in your ECU and no additional programming is required to receive and interpret all the information. When using Peak and Hold PRO Injector Driver together with other aftermarket ECU's or data acquisition systems that have a CAN communication port and can be programmed, it's still possible to have access to all of that data in order to use the benefits of the Peak and Hold PRO Injector Driver to its fullest.



NOTE

The CAN 2.0 protocol is available on our website under the manuals section

EN

MeasureID	DataID	Description	Unit	Multi	Broadcast (rate)
0x148	0x00A4	Supply voltage Driver 1	V	0,01	P&H Pro Injector Driver 10Hz
0x14A	0x00A5	Supply voltage Driver 2			
0x14C	0x00A6	Internal temp 1 Driver 1	°C		
0x14E	0x00A7	Internal temp 2 Driver 1			
0x150	0x00A8	Internal temp 1 Driver 2			
0x152	0x00A9	Internal temp 2 Driver 2			
0x1B4	0x00DA	Time to Peak (Cyl 1 / A)	ms	1	
0x1B6	0x00DB	Time to Peak (Cyl 2 / A)			
0x1B8	0x00DC	Time to Peak (Cyl 3 / A)			
0x1BA	0x00DD	Time to Peak (Cyl 4 / A)			
0x1BC	0x00DE	Time to Peak (Cyl 5 / A)			
0x1BE	0x00DF	Time to Peak (Cyl 6 / A)			

Peak and Hold PRO Injector Driver

MeasureID	DataID	Description	Unit	Multi	Broadcast (rate)
0x1C0	0x00E0	Time to Peak (Cyl 7 / A)	ms	1	P&H Pro Injector Driver 10Hz
0x1C2	0x00E1	Time to Peak (Cyl 8 / A)			
0x1C4	0x00E2	Time to Peak (Cyl 9 / A)			
0x1C6	0x00E3	Time to Peak (Cyl 10 / A)			
0x1C8	0x00E4	Time to Peak (Cyl 11 / A)			
0x1CA	0x00E5	Time to Peak (Cyl 12 / A)			
0x1CC	0x00E6	Time to Peak (Cyl 1 / B)			
0x1CE	0x00E7	Time to Peak (Cyl 2 / B)			
0x1D0	0x00E8	Time to Peak (Cyl 3 / B)			
0x1D2	0x00E9	Time to Peak (Cyl 4 / B)			
0x1D4	0x00EA	Time to Peak (Cyl 5 / B)			
0x1D6	0x00EB	Time to Peak (Cyl 6 / B)			
0x1D8	0x00EC	Time to Peak (Cyl 7 / B)			
0x1DA	0x00ED	Time to Peak (Cyl 8 / B)			
0x1DC	0x00EE	Time to Peak (Cyl 9 / B)			
0x1DE	0x00EF	Time to Peak (Cyl 10 / B)			
0x1E0	0x00F0	Time to Peak (Cyl 11 / B)			
0x1E2	0x00F1	Time to Peak (Cyl 12 / B)			

EN

1. Índice

2.	Apresentação.....	4
3.	Características.....	6
3.1	Segurança.....	6
4.	Termo de garantia.....	7
5.	Instalação	8
5.1	Esquema de ligação do chicote elétrico	8
6.	Exemplos de ligação do Peak and Hold PRO Injector Driver	10
6.1	Diagrama para 4 injetores	10
6.2	Diagrama para 8 injetores	10
6.3	Tabela de Corrente para injetores	11
6.4	Cuidados ao substituir um Peak and Hold por um Peak and Hold PRO Injector Driver ..	11
7.	Configuração do Peak and Hold PRO Injector Driver.....	11
7.1	Identificação da tela de configuração	12
7.2	Proteções de segurança	13
7.3	Proteções no FTManager	16
7.4	Informações do Eventos de Status	16
7.5	Canais do Datalogger	17
8.	Atualização de Firmware	18
9.	Protocolo FT CAN 2.0.....	19

2. Apresentação

O Peak and Hold PRO Injector Driver é um módulo de controle avançado de corrente desenvolvido para comandar injetores de baixa impedância. Ele possui 8 canais para injetores, conector automotivo de 26 vias e diversos níveis de proteção para o motor em caso de um injetor falhar.

PT

Em geral, injetores de competição e/ou de alta vazão utilizam enrolamentos internos de baixa impedância (com resistência menor de 7 Ohms). Isso possibilita que eles tenham um tempo de resposta muito menor do que um injetor de alta impedância, por exemplo (resistência maior do que 7 Ohms). Estes enrolamentos com menor impedância, implicam em uma corrente de acionamento maior e exigem um controle de corrente de abertura e corrente nominal (corrente de "peak" e corrente de "hold"), caso contrário, o injetor pode rapidamente aquecer e queimar.

Com o controle do Peak and Hold PRO Injector Driver é possível aplicar uma corrente inicial maior para permitir a rápida abertura do injetor (corrente de "peak") e, logo em seguida, reduzir a corrente para um valor que, em geral, corresponde a $\frac{1}{4}$ da corrente inicial (corrente de "hold"). Com isso, diminui-se o tempo morto do injetor - deadtime - (tempo entre o injetor receber o estímulo elétrico e efetivamente começar a injetar combustível).

Este equipamento possui um controle preciso de corrente e não sofre alterações do controle de corrente por variações de tensão da bateria, o que garante um controle perfeito em qualquer situação ou anomalia do sistema elétrico do veículo.

As correntes de pico e de hold do Peak and Hold PRO Injector Driver são totalmente configuráveis, e podem até ser iguais.

O Peak and Hold PRO Injector Driver pode ser acionado por qualquer módulo de injeção, inclusive originais.

Esse controle é necessário por diversos motivos:

Aplicando-se a potência máxima durante a abertura do injetor consegue-se diminuir o deadtime time do mesmo, melhorando a velocidade de resposta e garantindo uma linearidade de todo o conjunto de injetores.

A limitação da corrente nominal a um valor de $\frac{1}{4}$ da corrente de abertura é necessária para evitar que a bobina do injetor queime por excesso de potência, diminuindo o aquecimento do mesmo e prolongando sua vida útil.

A limitação da corrente nominal também é muito importante no momento do fechamento do injetor, pois quanto menor a energia armazenada na bobina, menor será o tempo necessário para o solenoide fechar mecanicamente. Com isso consegue-se uma linearidade da injeção de combustível mesmo que o injetor esteja funcionando já com 70%, 80% da sua capacidade, onde neste momento ele tem muito pouco tempo para abrir e fechar.

PT

3. Características

Dimensões:

- Largura: 90 mm
- Profundidade: 45 mm
- Altura: 115 mm
- Distância entre furos: 104,5 mm
- Material: Alumínio Anodizado e Plástico

PT

Características elétricas:

- 8 entradas de sinal
- 8 saídas de controle dos injetores
- Corrente de Pico e de Hold totalmente configuráveis via software FTManager (**configuração padrão de fábrica 8A/2A**)
- Alimentação de: 9V a 30V
- Comunicação CAN com linha PowerFT
- Conector automotivo de 26 vias

3.1 Segurança

Quando o Peak and Hold PRO Injector Driver estiver em operação a sua superfície pode alcançar temperaturas elevadas. Evite tocá-la com o risco de ocorrer queimaduras.



ATENÇÃO

É recomendado que a instalação do módulos seja em um local arejado e ventilado.

4. Termo de garantia

A utilização deste equipamento implica na total concordância com os termos descritos neste manual e exime o fabricante de qualquer responsabilidade sobre a utilização incorreta do produto.

Leia todo o Manual do produto antes de começar a instalação.

Este produto deve ser instalado e regulado apenas por oficinas especializadas ou pessoas capacitadas e que tenham experiência com regulagem e preparação de motores.

Antes de começar qualquer instalação elétrica desconecte a bateria.

A desobediência a qualquer um dos avisos e precauções descritos neste manual pode causar danos ao motor e perda da garantia deste produto. Acerto incorreto do produto pode causar danos ao motor.

Este equipamento não possui certificação para utilização em aeronaves ou assemelhados, portanto não é previsto para este fim.

Em alguns países que realizam inspeção veicular anual não é permitida qualquer modificação no sistema de injeção original. Informe-se antes da instalação.



Avisos Importantes para a correta instalação:

- **Sempre corte as sobras de fio – NUNCA enrole o pedaço sobrando, pois isso se torna uma antena captadora de interferências e pode gerar o mau funcionamento do equipamento.**
- **Os fios preto/branco PRECISAM ser ligados diretamente ao bloco ou cabeçote do motor. Isso evita muitos problemas com interferência.**
- **Para evitar possíveis danos ao módulo instale os 2 coxins que acompanham o produto.**

Garantia limitada

A garantia deste produto é de um ano a partir da data da compra e cobre apenas defeitos de fabricação.

Defeitos e danos causados pela incorreta utilização do produto não são cobertos por garantia.

A violação do Lacre implica na perda da garantia do produto e também do direito a atualizações disponibilizadas.

Manual versão 1.5 – Abril/2024

5. Instalação

A instalação deve ser realizada com o chicote elétrico desconectado do módulo e com a bateria desligada do veículo. É muito importante que o chicote seja do menor tamanho possível e sempre que algum fio estiver sobrando deve-se cortar o pedaço excedente. Nunca enrole as sobras de qualquer fio do chicote. Este cuidado evita problemas de interferência, comuns em qualquer equipamento eletrônico.

O chicote elétrico deve ser protegido de contato com partes afiadas da lataria que possam vir a danificar algum fio e causar curto-circuito. Preste atenção especial na passagem por furos, sempre colocando borrachas ou outras proteções. No cofre do motor, passe os fios por locais onde não recebam calor excessivo e não obstruam nenhuma peça móvel do motor. Procure sempre utilizar capas plásticas nos chicotes.

5.1 Esquema de ligação do chicote elétrico

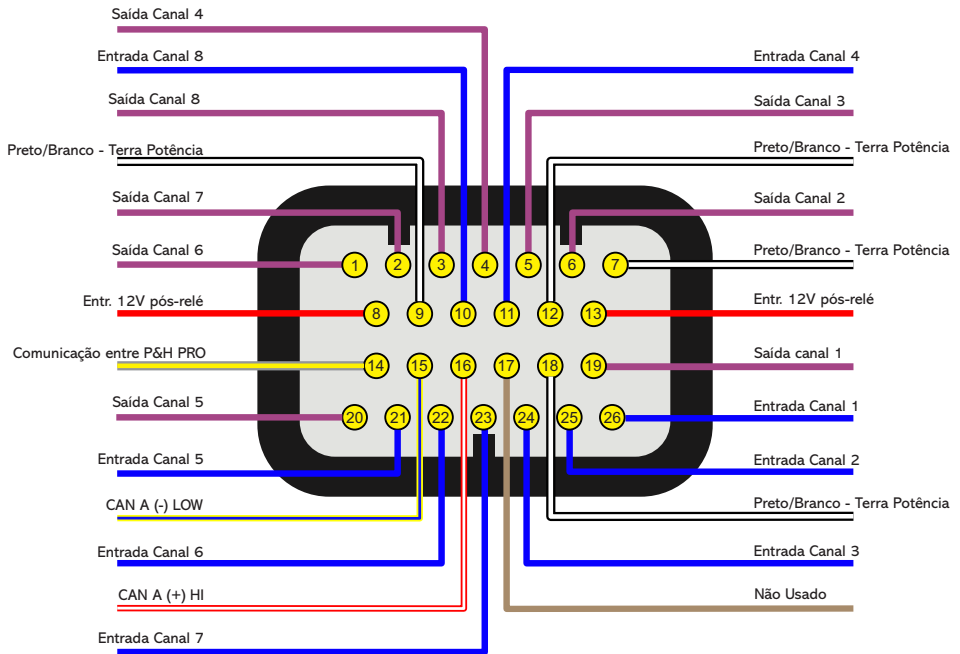


Tabela descritiva

Pino	Cor do Fio	Função	Observações
1	Violeta	Saída Canal 6	Ligar no pino do respectivo injetor (Acionamento por Negativo)
2		Saída Canal 7	
3		Saída Canal 8	
4		Saída Canal 4	
5		Saída Canal 3	
6		Saída Canal 2	
7	Preto/branco	Terra de Potência (aterrado no bloco ou cabeçote)	Deve ser ligado a um terra com um bom contato elétrico. Não ligar direto ao negativo da bateria
8	Vermelho	Entrada 12V pós-relé	Ligado ao pino 87 do relé principal
9	Preto/branco	Terra de Potência (aterrado no bloco ou cabeçote)	Deve ser ligado a um terra com um bom contato elétrico. Não ligar direto ao negativo da bateria
10	Azul	Entrada Canal 8	Ligar saídas de injeção da ECU
11		Entrada Canal 4	
12	Preto/branco	Terra de Potência (aterrado no bloco ou cabeçote)	Deve ser ligado a um terra com um bom contato elétrico. Não ligar direto ao negativo da bateria
13	Vermelho	Entrada 12V pós-relé	Ligado ao pino 87 do relé principal
14	Not Used		
15	Amarelo/Azul	CAN LOW (-)	Ligados a rede CAN de um módulo PowerFT
16	Branco/vermelho	CAN HI (+)	
17	Marrom	Não Usado	Não Usado
18	Preto/branco	Terra de Potência (aterrado no bloco ou cabeçote)	Deve ser ligado a um terra com um bom contato elétrico. Não ligar direto ao negativo da bateria
19	Violeta	Saída Canal 1	Ligar no pino do respectivo injetor (Acionamento por Negativo)
20		Saída Canal 5	
21	Azul	Entrada Canal 5	Ligar saídas de injeção da ECU
22		Entrada Canal 6	
23		Entrada Canal 7	
24		Entrada Canal 3	
25		Entrada Canal 2	
26		Entrada Canal 1	

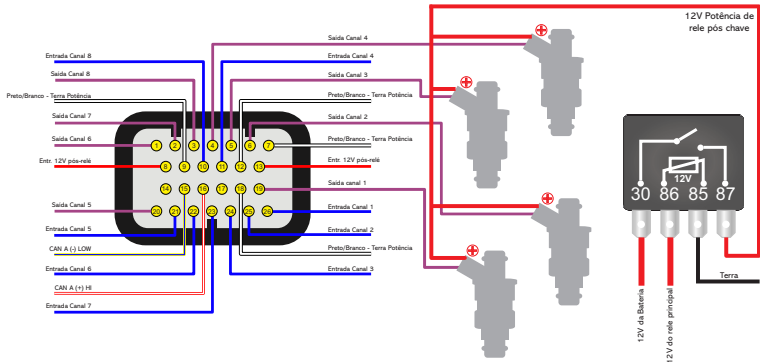
PT

6. Exemplos de ligação do Peak and Hold PRO Injector Driver

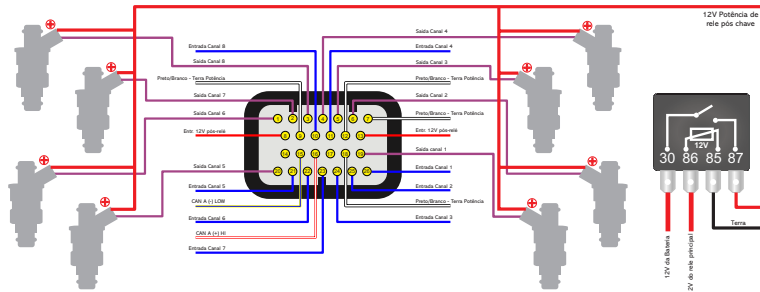
Os exemplos mostram algumas possibilidades de ligação, porém, quando necessário, pode-se deixar um canal desligado sem prejuízo dos demais.

PT

6.1 Diagrama para 4 injetores



6.2 Diagrama para 8 injetores



ATENÇÃO

A ligação 12V dos pinos 8 e 13 deve ser feita em um relé separado dos injetores para o correto funcionamento do P&H Pro Injector Driver.

6.3 Tabela de Corrente para injetores

Marca / Modelo	Corrente de Pico	Corrente de Hold
Bosch 160lb/h	2A	0,5A
Bosch 160lb/h (2 injetores por canal)	4A	1A
Bosch 160lb/h (4 injetores por canal)	8A	2A
Siemens 220-225lb/h	4A	1A
Siemens 220-225lb/h (2 injetores por canal)	8A	2A
Precision 550lb/h	8A	2A
Moran e Billet Atomizer	8A	2A
FT Injector 230, 320, 520, 720 e 820lb/h	8A	2A

PT

6.4 Cuidados ao substituir um Peak and Hold por um Peak and Hold PRO Injector Driver

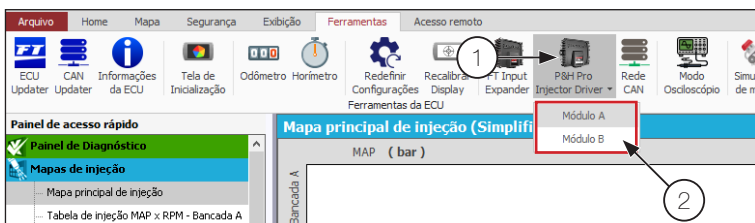
Ao substituir um Peak and Hold por um Peak and Hold PRO Injector Driver, pequenas diferenças são esperadas nos mapas de combustível devido a diferenças de estratégias de controle entre os produtos, e por isso, recomenda-se atenção aos seguintes pontos:

- O tempo de injeção na condição de marcha lenta do motor precisará ser verificado.
- Ajuste se necessário os tempos de injeção em todo o mapa principal de combustível.

7. Configuração do Peak and Hold PRO Injector Driver

Para configurar o P&H PRO Injector Driver é necessário acessar o Software FTManager, na aba “Ferramentas” clique no ícone do produto (1).

Ao clicar no ícone abrirá uma opção de escolha de qual P&H PRO Injector Driver você quer configurar “Módulo A” ou “Módulo B” (2).



Peak and Hold PRO Injector Driver

7.1 Identificação da tela de configuração

- **Configurações das saídas:** define quais canais serão utilizados e também a corrente de Peak e de Hold.
 - Canal:** Marque quais canais serão utilizados no módulo.
 - Atuação:** Configura qual é o cilindro que esta configurado.
 - Modo:** Ajusta o valor de Peak e do Hold e ainda pode ser customizado deste modo aos próximos dois campos serão ativados para definir os valores de Peak e de Hold.
- **Correntes máximas e mínimas:**
 - Corrente mínima / máxima de Peak: **2A / 12A**
 - Corrente mínima / máxima de Hold: **0.5A / 3A**
- **Proteções de segurança:** ajusta qual será o nível de proteção do Peak and Hold PRO Injector Driver.
- **Número de série:** permite selecionar qual dos módulos configurado como A se quer mudar para B quando se clica no botão *“alterar para módulo B”*.
- **Botões:** estes botões são utilizados para ler, gravar e redefinir as configurações na memória do Peak and Hold PRO Injector Driver.
- **Informações:** nestes campos são exibidos as versões de hardware e software assim como o numero serial do módulo.

P&H Pro Injector Driver -Módulo A

Configuração das saídas

Canal	Atuação	Modo	Peak	Hold
# 1 <input checked="" type="checkbox"/>	Cilindro 1 - Bancada A	8A/2A	8,0	2,0
# 2 <input checked="" type="checkbox"/>	Cilindro 2 - Bancada A	2A/0.5A 4A/1A	8,0	2,0
# 3 <input checked="" type="checkbox"/>	Cilindro 3 - Bancada A	8A/2A Customizado	8,0	2,0
# 4 <input checked="" type="checkbox"/>	Cilindro 4 - Bancada A	8A/2A	8,0	2,0
# 5 <input checked="" type="checkbox"/>	Cilindro 1 - Bancada B	8A/2A	8,0	2,0
# 6 <input checked="" type="checkbox"/>	Cilindro 2 - Bancada B	8A/2A	8,0	2,0
# 7 <input checked="" type="checkbox"/>	Cilindro 3 - Bancada B	8A/2A	8,0	2,0
# 8 <input checked="" type="checkbox"/>	Cilindro 4 - Bancada B	8A/2A	8,0	2,0

Proteções de segurança

Falha	Alerta na ECU	Desativar módulo
Injetor desconectado	<input checked="" type="checkbox"/>	<input type="checkbox"/>
Injetor em curto	<input checked="" type="checkbox"/>	<input type="checkbox"/>
Alerta de sobreaquecimento do módulo	<input checked="" type="checkbox"/>	<input type="checkbox"/>
Verificação de integridade do módulo	<input checked="" type="checkbox"/>	<input type="checkbox"/>


Alerta na ECU: Envia a falha para a ECU. O alerta P&H Pro Injector Driver deve estar habilitado no mapa da ECU para indicar a ação a ser tomada.

Desativar módulo: O próprio módulo desativa suas saídas em caso de falha (Não depende da ECU)

Desconectado

Ler do driver Gravar no driver Apagar configuração Sair

Alterar para módulo B Número de série:



Versão do firmware

Versão do Hardware

Número de série

Configuração das saídas

Configure os canais do Peak and Hold PRO Injector Driver conforme as saídas de injeção configuradas no mapa.

É possível (porém não recomendado) também utilizar injetores de impedâncias diferentes, para ajustar basta mudar o valor de Peak e de Hold para cada canal.

The screenshot shows the software interface for the Peak and Hold PRO Injector Driver. On the left is a navigation menu with options like 'Panel de acesso rápido', 'Mapas de injeção', and 'Sensores e calibração'. The main area is divided into two sections: 'Saídas' (Outputs) and 'Configuração das saídas' (Output Configuration).

Saídas: This section lists 8 channels, each with a dropdown menu for the injector type (e.g., 'Injeção ct. 01 - Banco A').

Configuração das saídas: This section contains a table for configuring each channel. The table has columns for 'Canal', 'Atuação', 'Modo', 'Peak', and 'Hold'. All channels are checked, and the 'Modo' is set to 'BA/ZA'. The 'Peak' and 'Hold' values are set to 8.0 and 2.0 respectively for all channels.

Proteções de segurança: This section contains a table for configuring safety alerts. The table has columns for 'Falha' (Failure), 'Alerta na ECU' (Alert on ECU), and 'Desativar módulo' (Disable module). The failures listed are 'Injetor desconectado', 'Injetor em curto', 'Alerta de sobreaquecimento do módulo', and 'Verificação de integridade do módulo'. The 'Alerta na ECU' column has checkboxes that are all checked, while the 'Desativar módulo' column has checkboxes that are all unchecked.

PT

7.2 Proteções de segurança

A proteção do módulo permite criar alertas na tela da ECU ou ainda desativar o Peak and Hold PRO Injector Driver. É possível selecionar todos os alertas ou apenas um.

Alerta na ECU: Envia um alerta para ECU pela rede CAN. A ECU só tomará alguma ação (exibir na tela, modo de segurança ou desligar o motor) se estiver com o alerta ativado e configurado.

Desativar módulo: Desliga o módulo.



IMPORTANTE

Tenha cuidado ao selecionar a opção “desativar módulo”, pois, quando a ECU detectar o erro, ela desligará o módulo Peak and Hold PRO Injector Driver, isso causará o desligamento do motor por corte do combustível.



NOTA

Estas proteções são somente para o módulo Peak and Hold PRO Injector Driver

Peak and Hold PRO Injector Driver

Injetor desconectado

Este alerta tem configurações especiais para a detecção de um injetor desconectado ou com defeito. Ao marcar este "check box" aparecerá uma nova aba de configuração, que é dividida em duas partes.

PT

Tempo mínimo para detecção: Para a detecção do injetor desconectado o Peak and Hold Pro Injector Driver precisa da configuração de um tempo mínimo para detecção (tempo suficiente para atingir 25% da corrente de Peak). Esse tempo pode ser calculado automaticamente selecionado o modo "Automático".



ATENÇÃO

Para a execução da calibração automática é preciso que o motor entre em funcionamento e os injetores sob calibração pulsem com tempo de injeção longo suficiente para atingir 1/4 da corrente de pico configurada.

Ao trocar um injetor ou mudar a configuração de corrente é necessário fazer esta calibração novamente clicando sobre o botão "Recalibrar".



ATENÇÃO

a recalibração só irá ocorrer quando o motor entrar em funcionamento e os injetores pulsarem tempo suficiente para atingir 1/4 da corrente de pico configurada.

Passo a passo:

1. Clique em calibrar (ou recalibrar);
2. Funcione o motor, garanta que os injetores pulsaram;
3. Selecione Ler do Driver e então será mostrado o tempo de detecção;

Há também um modo manual onde o preparador define o tempo em milissegundos para este parâmetro.



IMPORTANTE

O tempo no modo manual deve ser obrigatoriamente maior que o tempo necessário para atingir 25% da corrente de Peak. Caso contrário poderá ocorrer falsas detecções de injetor desconectado

Na barra de status mostrará se o injetor foi calibrado corretamente.

Caso a barra de status indique “Erro” poderá ser tentada uma nova calibração clicando no botão “Recalibrar”. Ao clicar nesse botão todas as saídas configuradas como modo “Automático” serão recalibradas.

Canal	Atuação	Modo	Peak	Hold
# 1 <input checked="" type="checkbox"/>	Cilindro 1 - Bancada A	4A/1A	4,0	1,0
# 2 <input checked="" type="checkbox"/>	Cilindro 2 - Bancada A	4A/1A	4,0	1,0
# 3 <input checked="" type="checkbox"/>	Cilindro 3 - Bancada A	4A/1A	4,0	1,0
# 4 <input checked="" type="checkbox"/>	Cilindro 4 - Bancada A	4A/1A	4,0	1,0
# 5 <input type="checkbox"/>	Cilindro 5 - Bancada A	8A/2A	8,0	2,0
# 6 <input type="checkbox"/>	Cilindro 6 - Bancada A	8A/2A	8,0	2,0
# 7 <input type="checkbox"/>	Cilindro 7 - Bancada A	8A/2A	8,0	2,0
# 8 <input type="checkbox"/>	Cilindro 8 - Bancada A	8A/2A	8,0	2,0

Modo	Tempo	Status
# 1 Manual	1.400 ms	Predefinido
# 2 Automático	0.000 ms	Não calibrado
# 3 Automático	0.000 ms	Não calibrado
# 4 Automático	0.000 ms	Não calibrado
# 5 Automático	0.000 ms	Não utilizado
# 6 Automático	0.000 ms	Não utilizado
# 7 Automático	0.000 ms	Não utilizado
# 8 Automático	0.000 ms	Não utilizado

Detecção pré-partida: Esta opção pode ser usada quando o tempo mínimo para a detecção do injetor for igual ou maior que o tempo do mapa em condição de marcha lenta. O teste é executado toda a vez que o módulo for ligado antes do primeiro pulso de injeção.

Se a partida do motor for feita antes do teste terminar a mensagem de “*Teste de injetores não executado*” será exibida na tela da ECU.

O teste é recomendado somente em casos onde o teste automático não atende.

Para ativar marque o “*check box*” **Ativado** e defina o tempo em milissegundos do teste.

Peak and Hold PRO Injector Driver



IMPORTANTE

Este tempo é o tamanho do pulso que o P&H PRO Injector Driver aplicará no injetor, portanto deverá ser o menor possível a fim de evitar a abertura do injetor e por consequência a injeção do combustível com o motor desligado

PT

P&H Pro Injector Driver - Módulo A

Canal	Atuação	Modo	Peak	Hold
# 1 <input checked="" type="checkbox"/>	Cilindro 1 - Bancada A	4A/1A	4,0	1,0
# 2 <input checked="" type="checkbox"/>	Cilindro 2 - Bancada A	4A/1A	4,0	1,0
# 3 <input checked="" type="checkbox"/>	Cilindro 3 - Bancada A	4A/1A	4,0	1,0
# 4 <input checked="" type="checkbox"/>	Cilindro 4 - Bancada A	4A/1A	4,0	1,0
# 5 <input type="checkbox"/>	Cilindro 5 - Bancada A	8A/2A	8,0	2,0
# 6 <input type="checkbox"/>	Cilindro 6 - Bancada A	8A/2A	8,0	2,0
# 7 <input type="checkbox"/>	Cilindro 7 - Bancada A	8A/2A	8,0	2,0
# 8 <input type="checkbox"/>	Cilindro 8 - Bancada A	8A/2A	8,0	2,0

Proteções de segurança

Proteções: Injetor desconectado

Modo	Tempo	Status
# 1 Manual	1.400 ms	Predefinido
# 2 Automático	0,000 ms	Não calibrado
# 3 Automático	0,000 ms	Não calibrado
# 4 Automático	0,000 ms	Não calibrado
# 5 Automático	0,000 ms	Não utilizado
# 6 Automático	0,000 ms	Não utilizado
# 7 Automático	0,000 ms	Não utilizado
# 8 Automático	0,000 ms	Não utilizado


Deteção pré-partida

Ativado

0,6 ms

Ler do driver | Gravar no driver | Apagar configuração | Sair

Alterar para módulo B | Número de série:



Versão do firmware: 1.20.00

Versão do Hardware: 1.4

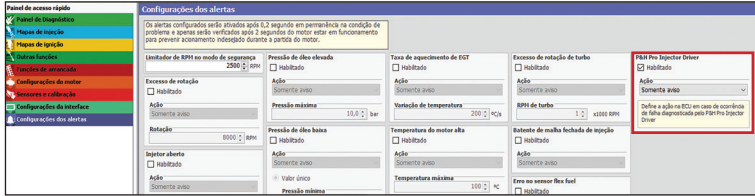
Número de série:

7.3 Proteções no FTManager

Após configurar as proteções do módulo Peak and Hold PRO Injector Driver é recomendado ajustar também a proteção para os módulos da linha PowerFT (FT450, FT500, FT550 e FT600).

- Acesse o Software FTManager abra o mapa do módulo.
- No menu lateral clique em "Configurações dos alertas".
- Ajuste o alerta do P&H PRO Injector Driver.

O alerta tem a mesma configuração de somente aviso, alerta na tela e desligar o módulo.



7.4 Informações do Eventos de Status

Mensagem	Possíveis Causas	Soluções
Verificação de integridade do módulo	Componente de hardware inoperante	Envie o módulo Peak and Hold PRO Injector Driver para assistência técnica da FuelTech
Injetor desconectado	Injetor com defeito ou limite do injetor atingiu 100%	Verifique o Injetor
Injetor em curto	Ligação elétrica errada ou chicote elétrico com defeito	Verifique o chicote e ligação dos injetores
Alerta de sobreaquecimento do módulo	Temperatura elevada no canal	Verifique o local de instalação do módulo recomenda-se um local ventilado

7.5 Canais do Datalogger

O Peak and Hold PRO Injector Driver conta com vários canais de datalogger para monitoramento de diversos parâmetros do módulo.

P&H PRO A - Bateria: mostra a tensão de alimentação do módulo.

P&H PRO A - Temp interna 1 e 2: registra a temperatura das placas de processamento do módulo.

P&H PRO - Tempo até Peak (Cil X / A): registra o tempo até o injetor atingir o estado de Pico para cada injetor. Caso a corrente não atinja o valor configurado como Peak, o tempo registrado será -1 (indicado como ---).

Se possuir mais de um Peak and Hold PRO Injector Driver na mesma instalação os canais do datalogger serão duplicados com a diferença de A e B.

Injetores de alta impedância conectados no Peak and Hold Pro podem não atingir o pico de corrente configurado durante o funcionamento, desta forma o diagnóstico de tempo até pico apresentará resultado -1 (indicado como - - -)

8. Atualização de Firmware

Esta função possibilita executar uma atualização de Firmware quando disponível para os módulos ligados na Rede CAN da FuelTech.

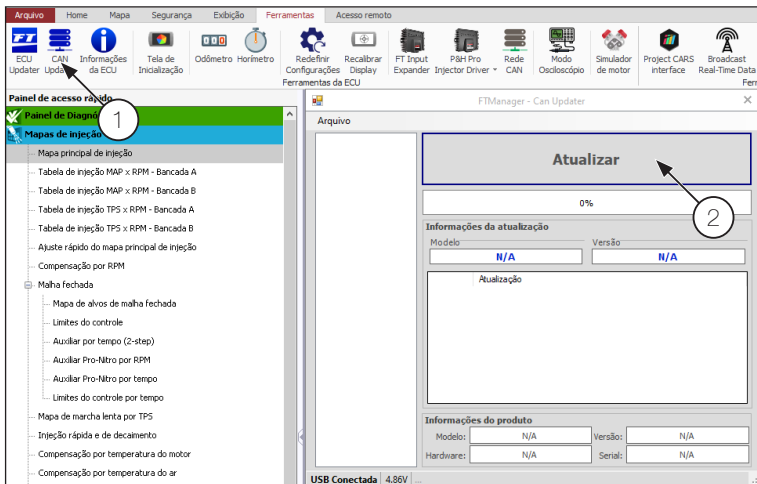
Para verificar se há atualizações disponíveis execute o procedimento listado a seguir:

- Abra o Software FTManager;
- Acesse o menu "**Ferramentas**" e clique sobre o ícone "**CAN Updater**" (1);
- Selecione o produto que deseja atualizar e clique sobre o botão "**Atualizar**" (2).
- Esta tela mostrará as informações de versão e serial do módulo selecionado.
- Aguarde a Atualização terminar, desconecte o cabo USB.
- Ligue a chave e verifique se a atualização ocorreu normalmente.



IMPORTANTE

Não execute o procedimento de atualização com o motor ligado.



9. Protocolo FTCAN 2.0

O Peak and Hold PRO Injector Driver possui um diagnóstico avançado de funcionamento, falhas e problemas, que ajudam e muito a diagnosticar e acompanhar o funcionamento do módulo.

Quando utilizado em conjunto com as ECUS da série PowerFT da FuelTech (FT450 ou superior), esta programação já se encontra feita na sua ECU e não é necessário qualquer programação adicional para receber todas estas informações, porem quando utilizado o Peak and Hold PRO Injector Driver em conjunto com outra ECU ou um sistema de aquisição de dados que possua porta de comunicação CAN e possa ser programada, é possível ter acesso a todos esses dados de forma a utilizar por completo os benefícios do Peak and Hold Injector Driver.

Esta disponível em nosso site o documento completo para a configuração da Rede CAN. Para isso acesse o link <https://fueltech.com.br/pages/manuais-portugues> e baixe o manual Protocolo FTCAN 2.0

PT

MeasureID	DataID	Descrição	Unid	Multi	Broadcast (taxa)	
0x148	0x00A4	Tensão de bateria Driver 1	V	0,01	P&H Pro Injector Driver 10Hz	
0x14A	0x00A5	Tensão de bateria Driver 2				
0x14C	0x00A6	Temperatura do sensor 1 do Driver 1	°C			
0x14E	0x00A7	Temperatura do sensor 2 do Driver 1				
0x150	0x00A8	Temperatura do sensor 1 do Driver 2				
0x152	0x00A9	Temperatura do sensor 2 do Driver 2				
0x1B4	0x00DA	Cilindro 1 Banco A: tempo até pico	ms			1
0x1B6	0x00DB	Cilindro 2 Banco A: tempo até pico				
0x1B8	0x00DC	Cilindro 3 Banco A: tempo até pico				
0x1BA	0x00DD	Cilindro 4 Banco A: tempo até pico				
0x1BC	0x00DE	Cilindro 5 Banco A: tempo até pico				
0x1BE	0x00DF	Cilindro 6 Banco A: tempo até pico				
0x1C0	0x00E0	Cilindro 7 Banco A: tempo até pico				
0x1C2	0x00E1	Cilindro 8 Banco A: tempo até pico				

Peak and Hold PRO Injector Driver

MeasureID	DataID	Descrição	Unid	Multi	Broadcast (taxa)
0x1C4	0x00E2	Cilindro 9 Banco A: tempo até pico			
0x1C6	0x00E3	Cilindro 10 Banco A: tempo até pico			
0x1C8	0x00E4	Cilindro 11 Banco A: tempo até pico			
0x1CA	0x00E5	Cilindro 12 Banco A: tempo até pico			
0x1CC	0x00E6	Cilindro 1 Banco B: tempo até pico			
0x1CE	0x00E7	Cilindro 2 Banco B: tempo até pico			
0x1D0	0x00E8	Cilindro 3 Banco B: tempo até pico			
0x1D2	0x00E9	Cilindro 4 Banco B: tempo até pico			
0x1D4	0x00EA	Cilindro 5 Banco B: tempo até pico			
0x1D6	0x00EB	Cilindro 6 Banco B: tempo até pico			
0x1D8	0x00EC	Cilindro 7 Banco B: tempo até pico			
0x1DA	0x00ED	Cilindro 8 Banco B: tempo até pico			
0x1DC	0x00EE	Cilindro 9 Banco B: tempo até pico			
0x1DE	0x00EF	Cilindro 10 Banco B: tempo até pico			
0x1E0	0x00F0	Cilindro 11 Banco B: tempo até pico			
0x1E2	0x00F1	Cilindro 12 Banco B: tempo até pico			

PT

1. Índice

2.	Presentación	2
3.	Características	4
3.1	Seguridad	4
4.	Termo de garantía.....	5
5.	Instalación	6
5.1	Diagrama de cableado del arnés.....	6
6.	Ejemplos de conexión del controlador de inyector PRO Peak and Hold.....	8
6.1	Diagrama para 4 inyectores	8
6.2	Diagrama para 8 inyectores	8
6.3	Tabla de Corriente para inyectores	9
6.4	Precauciones al reemplazar un Peak and Hold con un Peak and Hold PRO Injector Driver.	9
7.	Configuración del Peak and Hold PRO Injector Driver	9
7.1	Identificación de la pantalla de configuración.....	10
7.2	Protecciones de módulo.....	11
7.3	Protecciones en FTManager	14
7.4	Información de eventos de estado.....	14
7.5	Canales del registrador de datos.....	15
8.	Actualización de firmware.....	16
9.	Protocolo FTCAN 2.0	17

2. Presentación

El Peak and Hold PRO Injector Driver es un módulo de control de corriente avanzado diseñado para impulsar inyectores de baja impedancia. Tiene 8 canales de inyector, un conector automotriz de 26 vías y varios niveles de protección del motor en caso de que falle un inyector.

En general, los inyectores de competición y / o de alto caudal utilizan devanados internos de baja impedancia (con una resistencia inferior a 7 ohmios). Esto les permite tener un tiempo de respuesta mucho más corto que un inyector de alta impedancia, por ejemplo (resistencia superior a 7 ohmios). Estos devanados con menor impedancia implican una mayor corriente de conducción y requieren un control de la corriente de apertura y la corriente nominal (corriente máxima y corriente de retención), de lo contrario, el inyector puede calentarse y quemarse rápidamente.

ES

Con el control del Peak and Hold PRO Injector Driver es posible aplicar una corriente inicial superior para permitir la apertura rápida del inyector (corriente "peak") y, luego, reducir la corriente a un valor que, en general, corresponda a $\frac{1}{4}$ de la corriente inicial (corriente de "Hold"). Con esto, se reduce el tiempo muerto del inyector - Deadtime - (tiempo entre que el inyector recibe el estímulo eléctrico y comienza efectivamente a inyectar combustible).

Este equipo tiene un control de corriente preciso y no sufre cambios de control de corriente por variaciones de voltaje de la batería, lo que garantiza un perfecto control en cualquier situación o anomalía en el sistema eléctrico del vehículo.

En el Peak and Hold PRO Injector Driver las corrientes de pico y retención son totalmente configurables, e incluso pueden ser las mismas.

El Peak and Hold PRO Injector Driver se puede activar mediante cualquier módulo de inyección, incluidos los originales.

Este control es necesario por varias razones:

Aplicando la máxima potencia durante la apertura de la boquilla del inyector, es posible reducir su tiempo muerto, mejorando la velocidad de respuesta y garantizando la linealidad de todo el conjunto de inyectores.

Es necesario limitar la corriente nominal a un valor de $\frac{1}{4}$ de la corriente de apertura para evitar que la bobina del inyector se queme por exceso de potencia, reduciendo su calentamiento y prolongando su vida útil.

Limitar la corriente nominal también es muy importante al cerrar el inyector, ya que cuanto menos energía se almacena en la bobina de la boquilla, menor es el tiempo necesario para que el solenoide se cierre mecánicamente.

Con esto, se logra una linealidad de inyección de combustible incluso si el inyector ya está funcionando al 70%, 80% de su capacidad, donde en este momento tiene muy poco tiempo para abrir y cerrar.

Cuando la bobina está sobrecargada, provocada, por ejemplo, por no controlar la corriente de "retención" o cuando este control simplemente no existe, el inyector, mucho antes de alcanzar el 100% de su apertura, se "cierra con llave", perdiendo la capacidad total de operar por encima del 70% del rango de apertura.

3. Características

Dimensiones:

- Ancho: 90 mm
- Profundidad: 45 mm
- Altura: 115 mm
- Distancia entre furos: 104,5 mm
- Material: aluminio anodizado y plástico.

Características eléctricas:

- 8 entradas de señal
- 8 salidas de control de inyector
- Peak and Hold con corriente totalmente configurables a través del software FTManager (**Configuración de la corriente en la fabrica 8A/2A**)
- Energía de: 9V a 30V
- Comunicación CAN con la línea PowerFT
- Conector automotriz de 26 vías

ES

3.1 Seguridad

Cuando el controlador del inyector Peak and Hold PRO está en funcionamiento, su superficie puede alcanzar altas temperaturas. Evite tocarlo con riesgo de quemaduras.



ATENCIÓN

Se recomienda que la instalación de los módulos sea en un lugar ventilado.

4. Termo de garantía

El uso de este equipo implica la total conformidad con los términos descritos en este manual y exime al fabricante de cualquier responsabilidad por el uso incorrecto del producto.

Lea todo el manual del producto antes de comenzar la instalación.

Este producto debe ser instalado y ajustado únicamente por talleres especializados o personas calificadas que tengan experiencia en el ajuste y preparación del motor.

Antes de iniciar cualquier instalación eléctrica, desconecte la batería.

El incumplimiento de cualquiera de las advertencias y precauciones descritas en este manual puede causar daños al motor y anular la garantía de este producto. El ajuste incorrecto del producto puede dañar el motor.

Este equipo no está certificado para su uso en aviones o similar, por lo que no está diseñado para este propósito.

En algunos países que realizan inspecciones anuales de vehículos, no se permiten modificaciones al sistema de inyección original. Descúbrelo antes de la instalación.

ES



Avisos Importantes para a correta instalação:

- ***Siempre corte cualquier cable sobrante - NUNCA enrolle la pieza restante, ya que se convierte en una antena que captura interferencias y puede causar un mal funcionamiento del equipo.***
- ***Los cables negros / blancos DEBEN conectarse directamente al bloque del motor o al cabezal. Esto evita muchos problemas de interferencia.***
- ***Para evitar posibles daños en el módulo, instale las 2 cojines que vienen con el producto.***

Garantía limitada

La garantía de este producto es de un año a partir de la fecha de compra y cubre únicamente los defectos de fabricación.

Los defectos y daños causados por un uso incorrecto del producto no están cubiertos por la garantía.

La violación del Sello implica la pérdida de la Garantía del Producto y también el derecho a las actualizaciones disponibles.

Version del manual 1.5 - Abril/2024

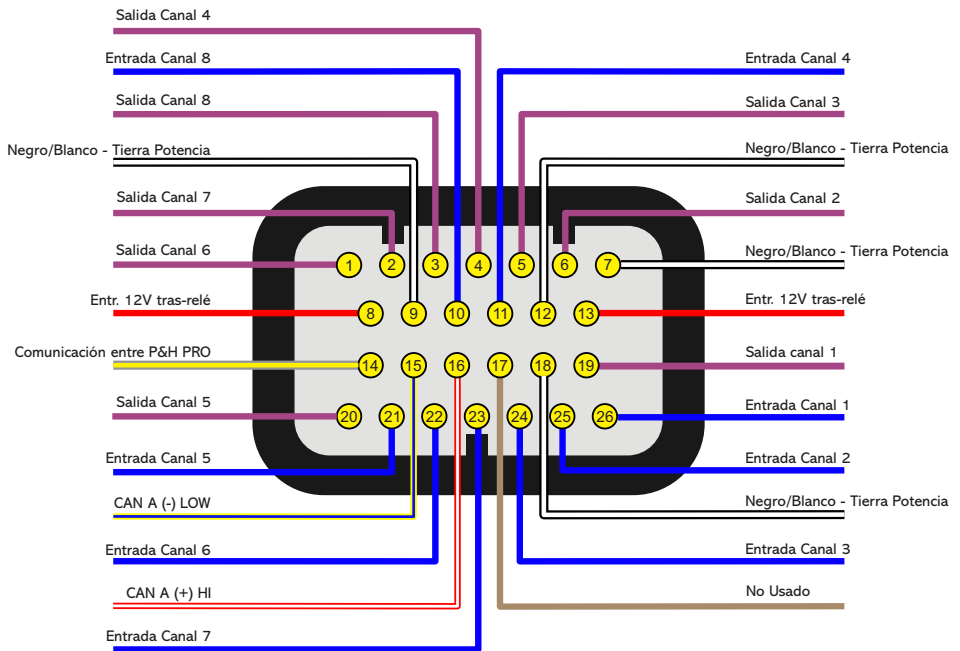
5. Instalación

La instalación debe realizarse con el arnés desconectado del módulo y con la batería desconectada del vehículo. Es muy importante que el arnés sea lo más pequeño posible y siempre que sobra algún cable se debe cortar la pieza sobrante. Nunca enrolle ningún de los cables sobrante. Esta precaución evita problemas de interferencia comunes a cualquier equipo electrónico.

El arnés eléctrico debe protegerse del contacto con partes afiladas de la carrocería que podrían dañar algún cable y provocar un cortocircuito. Preste especial atención al pasar por los agujeros, colocando siempre gomas u otras protecciones. En el compartimiento del motor, coloque los cables donde no reciban un calor excesivo y no obstruyan las partes móviles del motor. Intente siempre utilizar tapas de plástico en los arneses.

ES

5.1 Diagrama de cableado del arnés



Peak and Hold PRO Injector Driver

Tabla descriptiva

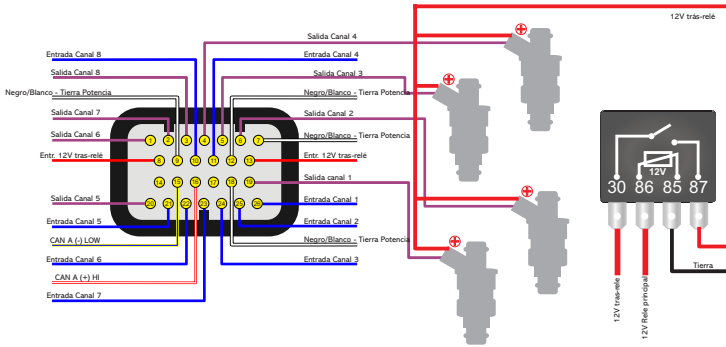
Pin	Color del Cable	Función	Observaciones
1	Violeta	Canal de Salida 6	Conectar al pin del inyector respectivo (Activación por negativo)
2		Canal de Salida 7	
3		Canal de Salida 8	
4		Canal de Salida 4	
5		Canal de Salida 3	
6		Canal de Salida 2	
7	Negro/Blanco	Tierra de Potencia (conectado a tierra en el bloque o cabeza)	Debe estar conectado a tierra con buen contacto eléctrico. No conecte directamente al negativo de la batería
8	Rojo	Entrada 12V post-rele	Conectado al pin 87 del relé principal
9	Negro/Blanco	Tierra de Potencia (conectado a tierra en el bloque o cabeza)	Debe estar conectado a tierra con buen contacto eléctrico. No conecte directamente al negativo de la batería
10	Azul	Canal de Entrada 8	Conecte las salidas de inyección de la ECU
11		Canal de Entrada 4	
12	Negro/Blanco	Tierra de Potencia (conectado a tierra en el bloque o cabeza)	Debe estar conectado a tierra con buen contacto eléctrico. No conecte directamente al negativo de la batería
13	Rojo	Entrada 12V post-rele	Conectado al pin 87 del relé principal
14	No Usado		
15	Amarillo/Azul	CAN LOW (-)	Conectado a la red CAN de un módulo PowerFT
16	Blanco/Rojo	CAN HI (+)	
17	Marrón	No usado	No usado
18	Negro/Blanco	Tierra de Potencia (conectado a tierra en el bloque o cabeza)	Debe estar conectado a tierra con buen contacto eléctrico. No conecte directamente al negativo de la batería
19	Violeta	Canal de Salida 1	Conectar al pin del inyector respectivo (Activación por negativo)
20		Canal de Salida 5	
21	Azul	Canal de Entrada 5	Conecte las salidas de inyección de la ECU
22		Canal de Entrada 6	
23		Canal de Entrada 7	
24		Canal de Entrada 3	
25		Canal de Entrada 2	
26		Canal de Entrada 1	

ES

6. Ejemplos de conexión del controlador de inyector PRO Peak and Hold

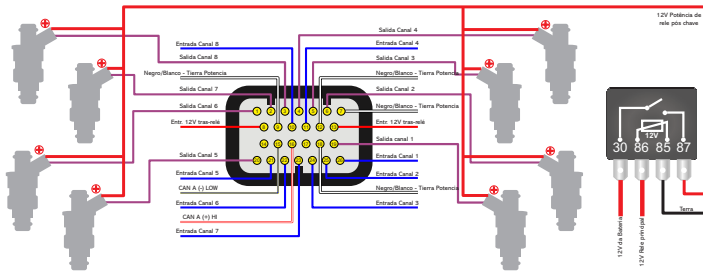
Los ejemplos muestran algunas posibilidades de conexión, sin embargo, cuando sea necesario, un canal puede dejarse apagado sin dañar los demás.

6.1 Diagrama para 4 inyectores



ES

6.2 Diagrama para 8 inyectores



ATENCIÓN

La conexión 12V de los pines 8 y 13 debe realizarse a través de un relé separado de los inyectores para el correcto funcionamiento del Driver Inyector P&H Pro.

6.3 Tabla de Corriente para inyectores

Marca / Modelo	Corriente de Pico	Corriente de Hold
Bosch 160lb/h	2A	0,5A
Bosch 160lb/h (2 inyectores por canal)	4A	1A
Bosch 160lb/h (4 inyectores por canal)	8A	2A
Siemens 220-225lb/h	4A	1A
Siemens 220-225lb/h (2 inyectores por canal)	8A	2A
Precision 550lb/h	8A	2A
Moran y Billet Atomizer	8A	2A
FT Injector 230, 320, 520, 720 y 820lb/h	8A	2A

6.4 Precauciones al reemplazar un Peak and Hold con un Peak and Hold PRO Injector Driver

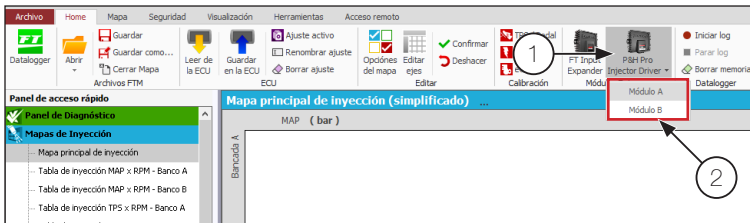
ES

Al reemplazar un Peak and Hold con un Peak and Hold PRO Injector Driver, se esperan pequeñas diferencias en los mapas de combustible debido a diferencias en las estrategias de control entre los productos, por lo que se recomienda prestar atención a los siguientes puntos:

- Será necesario comprobar el tiempo de inyección con el motor en ralentí.
- Si es necesario, ajuste los tiempos de inyección en todo el mapa principal de combustible.

7. Configuración del Peak and Hold PRO Injector Driver

Para configurar el P&H PRO Injector Driver es necesario acceder al Software FTManager, en la pestaña **“Herramientas”** haga clic en el icono del producto (1). Al hacer clic en el icono, se abrirá una opción para elegir qué P&H PRO Injector Driver desea configurar como **“Módulo A”** o **“Módulo B”** (2).



Peak and Hold PRO Injector Driver

7.1 Identificación de la pantalla de configuración

- **Configuración de salida:** define qué canales se utilizarán y también la corriente de Peak y Hold.
 - Canal:** Marque los canales que se utilizarán en el módulo.
 - Actuación:** Configura qué cilindro esta configurado.
 - Ajuste:** Ajusta el valor de Peak y Hold y aún se puede personalizar de esta manera, los dos campos siguientes se activarán para establecer los valores de Peak y Hold.
- **Corrientes máximas y mínimas:**
 - Corriente pico mínima / máxima: 2A / 12A
 - Corriente de retención mínima / máxima: 0.5A / 3A
- **Protecciones de seguridad:** ajusta el nivel de protección del módulo.
- **Numero de Serie:** le permite seleccionar cuál de los módulos configurados como A desea cambiar a B cuando hace clic en el botón "cambiar a módulo B".
- **Botones:** estos botones se utilizan para leer, escribir y restablecer la configuración en la memoria del Peak and Hold PRO Injector Driver.
- **Información:** estos campos muestran las versiones de hardware y software, así como el número de serie del módulo.

ES

P&H Pro Injector Driver -Módulo A

Configuración de salida

Canal	Actuación	Ajuste	Peak	Hold
# 1 <input checked="" type="checkbox"/>	Cilindro 1 - Banco A	8A/2A	8,0	2,0
# 2 <input checked="" type="checkbox"/>	Cilindro 2 - Banco A	2A/0.5A 4A/1A	8,0	2,0
# 3 <input checked="" type="checkbox"/>	Cilindro 3 - Banco A	8A/2A Personalizado	8,0	2,0
# 4 <input checked="" type="checkbox"/>	Cilindro 4 - Banco A	8A/2A	8,0	2,0
# 5 <input checked="" type="checkbox"/>	Cilindro 1 - Banco B	8A/2A	8,0	2,0
# 6 <input checked="" type="checkbox"/>	Cilindro 2 - Banco B	8A/2A	8,0	2,0
# 7 <input checked="" type="checkbox"/>	Cilindro 3 - Banco B	8A/2A	8,0	2,0
# 8 <input checked="" type="checkbox"/>	Cilindro 4 - Banco B	8A/2A	8,0	2,0

Protecciones de seguridad


Falla	Alerta en la ECU	Apagar módulo
Inyector desconectado	<input checked="" type="checkbox"/>	<input type="checkbox"/>
Inyector en cortocircuito	<input checked="" type="checkbox"/>	<input type="checkbox"/>
Alerta de sobrecalentamiento del módulo	<input checked="" type="checkbox"/>	<input type="checkbox"/>
Verificación de la integridad del módulo	<input checked="" type="checkbox"/>	<input type="checkbox"/>

Alerta en la ECU: Envía la falla a la ECU. La alerta del controlador del P&H Pro Injector Driver debe estar habilitada en el mapa de la ECU para indicar la acción que se debe tomar.

Apagar módulo: El propio módulo desactiva sus salidas en caso de falla (no depende de la ECU)

Leer del driver Guardar en driver Borrar configuración Salir

Cambiar para "Módulo B" Numero de serie



Versión de firmware

Versión de Hardware

Numero de serie

Desconectado

Configuración de salida

Configure los canales del Peak and Hold PRO Injector Driver de acuerdo con las salidas de inyección configuradas en el mapa.

Es posible (pero no recomendable) utilizar también inyectores con diferentes impedancias, para ajustarlo basta con cambiar los valores Peak y Hold para cada canal.

7.2 Protecciones de módulo

La protección del module permite crear alertas en la pantalla de la ECU o incluso deshabilitar el Peak and Hold PRO Injector Driver: Puede seleccionar todas las alertas o solo una.

Alerta en ECU: envía una alerta a la ECU a través de la red CAN. La ECU solo realizará cualquier acción (mostrar en la pantalla, modo seguro o apagar el motor) si tiene la alerta activada y configurada.

Apagar módulo: apaga el módulo.



IMPORTANTE

Tenga cuidado al seleccionar la opción “apagar módulo”, porque cuando la ECU detecta el error, apagará el módulo Peak and Hold PRO Injector Driver, esto hará que el motor se apague debido a un corte de combustible.



NOTA

Estas protecciones son solo para el módulo Peak and Hold PRO Injector Driver

ES

Panel de acceso rápido

- Panel de Diagnóstico
- Mapas de Inyección
- Mapas de Ignición
- Otras Funciones
- Funciones de Drag Race
- Configuraciones del Motor
- Sensores y Calibración
- Entradas
 - MAP
 - Tipo de tracción
 - Velocidad de rueda delantera
 - Velocidad de rueda traseras
 - RPM del cardán
 - RPM del cambio
 - Rotación del turbo
 - Sensor de flujo de combustible
 - Paddle shift
 - Freno
- Comunicación CAN
 - Acelerómetro interno
- Salidas
 - Configuraciones de la Interfaz
 - Configuración de las Alertas

Salidas

- Salida azul 1: Inyección cil. 01 - Banco A
- Salida azul 2: Inyección cil. 02 - Banco A
- Salida azul 3: Inyección cil. 03 - Banco A
- Salida azul 4: Inyección cil. 04 - Banco A
- Salida azul 5: Inyección cil. 01 - Banco B
- Salida azul 6: Inyección cil. 02 - Banco B
- Salida azul 7: Inyección cil. 03 - Banco B
- Salida azul 8: Inyección cil. 04 - Banco B

P&H Pro Injector Driver -Módulo A

Configuración de salida

Canal	Actuación	Ajuste	Peak	Hold
# 1	Cilindro 1 - Banco A	BA/DA	8,0	2,0
# 2	Cilindro 2 - Banco A	BA/DA	8,0	2,0
# 3	Cilindro 3 - Banco A	BA/DA	8,0	2,0
# 4	Cilindro 4 - Banco A	BA/DA	8,0	2,0
# 5	Cilindro 1 - Banco B	BA/DA	8,0	2,0
# 6	Cilindro 2 - Banco B	BA/DA	8,0	2,0
# 7	Cilindro 3 - Banco B	BA/DA	8,0	2,0
# 8	Cilindro 4 - Banco B	BA/DA	8,0	2,0

Protecciones de seguridad

Falla	Alerta en la ECU	Apagar módulo
Injector desconectado	<input checked="" type="checkbox"/>	<input type="checkbox"/>
Injector en cortocircuito	<input checked="" type="checkbox"/>	<input type="checkbox"/>
Alerta de sobrecalentamiento del módulo	<input checked="" type="checkbox"/>	<input type="checkbox"/>
Verificación de la integridad del módulo	<input checked="" type="checkbox"/>	<input type="checkbox"/>

Alerta en la ECU: Envía la falla a la ECU. La alerta del controlador del P&H Pro Injector Driver debe estar habilitada en el mapa de la ECU para indicar la acción que se debe tomar.

Apagar módulo: El próximo módulo desactiva sus salidas en caso de falla (no depende de la ECU).

Peak and Hold PRO Injector Driver

Inyector desconectado

Esta alerta tiene configuraciones especiales para detectar un inyector desconectado o defectuoso. Al marcar esta “*check box*” aparecerá una nueva pestaña de configuración, que se divide en dos partes.

Tiempo mínimo para la detección: para la detección del inyector desconectado, el controlador Peak and Hold PRO Injector Driver necesita la configuración de un tiempo mínimo de detección (tiempo suficiente para alcanzar el 25% de la corriente pico).

Este tiempo se puede calcular automáticamente seleccionando el modo “Automático”.



IMPORTANTE

Para realizar la calibración automática el motor debe estar partido y los inyectores en calibración deben pulsar con un tiempo de inyección lo suficientemente largo para alcanzar $\frac{1}{4}$ de la corriente de pico configurada.

ES

Al cambiar un inyector o cambiar la configuración actual, es necesario realizar esta calibración nuevamente haciendo clic en el botón “Recalibrar”.



IMPORTANTE

La recalibración solo ocurrirá con el motor parado y los inyectores en calibración deben pulsar con un tiempo de inyección lo suficientemente largo para alcanzar $\frac{1}{4}$ de la corriente de pico configurada.

Paso a paso:

1. Clic en calibrar (o recalibrar);
2. Prende el motor y asegúrese de que los inyectores emitan pulsos;
3. Seleccione Leer del Driver y luego se mostrará el tiempo de detección;

También hay un modo manual donde el preparador establece el tiempo en milisegundos para este parámetro.



IMPORTANTE

El tiempo en modo manual debe ser necesariamente mayor que el tiempo necesario para alcanzar el 25% de la corriente de pico. De lo contrario, pueden producirse falsas detecciones de inyectores desconectados.

Peak and Hold PRO Injector Driver

La barra de Status mostrará si el inyector se ha calibrado correctamente. Si la barra de status indica “Error”, se puede intentar una nueva calibración haciendo clic en el botón “Recalibrar”. Al hacer clic en este botón, todas las salidas configuradas como modo “Automático” serán recalibradas.

Canal	Actuación	F Ajuste	Hold	
# 1 <input checked="" type="checkbox"/>	Cilindro 1 - Banco A	4A/1A	4,0	1,0
# 2 <input checked="" type="checkbox"/>	Cilindro 2 - Banco A	4A/1A	4,0	1,0
# 3 <input checked="" type="checkbox"/>	Cilindro 3 - Banco A	4A/1A	4,0	1,0
# 4 <input checked="" type="checkbox"/>	Cilindro 4 - Banco A	4A/1A	4,0	1,0
# 5 <input type="checkbox"/>	Cilindro 5 - Banco A	8A/2A	8,0	2,0
# 6 <input type="checkbox"/>	Cilindro 6 - Banco A	8A/2A	8,0	2,0
# 7 <input type="checkbox"/>	Cilindro 7 - Banco A	8A/2A	8,0	2,0
# 8 <input type="checkbox"/>	Cilindro 8 - Banco A	8A/2A	8,0	2,0

Protecciones	Inyector desconectado		
Tiempo mínimo para la detección	Recalibrar		
Modo	Tiempo	Status	
# 1	Manual	1,400 ms	Predeterminado
# 2	Automático	0,000 ms	Sin calibrar
# 3	Automático	0,000 ms	Sin calibrar
# 4	Automático	0,000 ms	Sin calibrar
# 5	Automático	0,000 ms	No utilizado
# 6	Automático	0,000 ms	No utilizado
# 7	Automático	0,000 ms	No utilizado
# 8	Automático	0,000 ms	No utilizado

Detección de prearranque
 Activado
1,6 ms

Versión de firmware: 1.20.00
Versión de Hardware: 1.4
Numero de serie:

Detección de pré-arranque: esta opción se puede utilizar cuando el tiempo mínimo para la detección del inyector es igual o mayor que el tiempo del mapa en estado inactivo. La prueba se realiza cada vez que se enciende el módulo antes del primer pulso de inyección.

Si se arranca el motor antes de que finalice la prueba, aparecerá el mensaje “Prueba de inyectores no funciona” en la pantalla de la ECU.

La prueba se recomienda solo en los casos en que la prueba automática no se cumple.

Para activar, marque el “check box” Activado y defina el tiempo de prueba en milisegundos.



IMPORTANTE

Este tiempo es el tamaño de pulso que el P&H PRO Injector Driver aplicará al inyector, por lo que debe ser lo más pequeño posible para evitar abrir el inyector y, en consecuencia, inyectar combustible con el motor apagado.

Peak and Hold PRO Injector Driver

P&H Pro Injector Driver - Módulo A

Configuración de salida

Canal	Activación	F Ajuste	Hold
# 1 <input checked="" type="checkbox"/>	Cilindro 1 - Banco A	4A/1A	4,0 1,0
# 2 <input checked="" type="checkbox"/>	Cilindro 2 - Banco A	4A/1A	4,0 1,0
# 3 <input checked="" type="checkbox"/>	Cilindro 3 - Banco A	4A/1A	4,0 1,0
# 4 <input checked="" type="checkbox"/>	Cilindro 4 - Banco A	4A/1A	4,0 1,0
# 5 <input type="checkbox"/>	Cilindro 5 - Banco A	8A/2A	8,0 2,0
# 6 <input type="checkbox"/>	Cilindro 6 - Banco A	8A/2A	8,0 2,0
# 7 <input type="checkbox"/>	Cilindro 7 - Banco A	8A/2A	8,0 2,0
# 8 <input type="checkbox"/>	Cilindro 8 - Banco A	8A/2A	8,0 2,0

Protecciones de seguridad

Protecciones: **Injector desconectado**

Tiempo mínimo para la detección


Modo	Tiempo	Status
# 1 Manual	1,400 ms	Predeterminado
# 2 Automático	0,000 ms	Sin calibrar
# 3 Automático	0,000 ms	Sin calibrar
# 4 Automático	0,000 ms	Sin calibrar
# 5 Automático	0,000 ms	No utilizado
# 6 Automático	0,000 ms	No utilizado
# 7 Automático	0,000 ms	No utilizado
# 8 Automático	0,000 ms	No utilizado

Detección de prearranque

 Activado
 ms

Leer del driver
Guardar en driver
Borrar configuración
Sair

Cambiar para "Módulo B"
Numero de serie



Versión de firmware: 1.20.00

Versión de Hardware: 1.4

Numero de serie:

ES

7.3 Protecciones en FTManager

Luego de configurar las protecciones del módulo Peak and Hold PRO Injector Driver, se recomienda ajustar también la protección para los módulos de la línea PowerFT (FT450, FT500, FT550 y FT600).

- Acceda al software FTManager y abra el mapa del módulo.
- En el menú lateral, haga clic en "Configuración de alertas".
- Ajuste el alerta del controlador P&H PRO Injector Driver.

El alerta tienen la misma configuración que solo advertencia, alerta en pantalla y apagado del módulo.

Panel de acceso rápido

- Panel de Diagnóstico
- Mapas de Dirección
- Mapas de Gestión
- Grupos de Motores
- Temperatura del Motor
- Configuraciones del Motor
- Diagnóstico y Fallas
- Configuraciones de la Inyección
- Configuraciones del Actuator

Configuración de alertas

Alertas configuradas en activación después de 0,2 segundos de forma continua en condición de problema y solo serán comprobadas después de 3 segundos, el motor en marcha para evitar la activación no deseada durante el arranque del motor.

<p>Limitador de RPM en modo seguro: 2500 RPM</p> <p>Exceso de rotación: <input type="checkbox"/> Activado</p> <p>Acción: Solo aviso</p> <p>Rotación: 8000 RPM</p> <p>Rate cycle: <input type="checkbox"/> Activado</p> <p>Acción: Solo aviso</p> <p>Límite de duty: 100 %</p> <p>Exceso de presión de turbo: <input type="checkbox"/> Activado</p> <p>Acción: Solo aviso</p> <p>Presión límite: 6,0 bar</p> <p>Alta temperatura de escape (EGT): <input type="checkbox"/> Activado</p> <p>Acción: Solo aviso</p> <p>Temperatura de escape (EGT): 900 °C</p>	<p>Presión alta de aceite: <input type="checkbox"/> Activado</p> <p>Acción: Solo aviso</p> <p>Presión mínima: 10,0 bar</p> <p>Presión baja de aceite: <input type="checkbox"/> Activado</p> <p>Acción: Solo aviso</p> <p>Presión mínima: 0,3 bar</p> <p>Tubo de RPM: <input type="checkbox"/> Activado</p> <p>Tiempo mínimo: 0,2 s</p> <p>Presión mínima de aceite / RPM: <input type="checkbox"/> Activado</p> <p>Acción: Solo aviso</p> <p>Presión mínima: 3,0 bar</p> <p>RPM: 3000 RPM</p> <p>Baja temperatura de escape (EGT): <input type="checkbox"/> Activado</p>	<p>Tasa de calentamiento de EGT: <input type="checkbox"/> Activado</p> <p>Acción: Solo aviso</p> <p>Validación de temperatura: 200 °C/s</p> <p>Temperatura alta de motor: <input type="checkbox"/> Activado</p> <p>Acción: Solo aviso</p> <p>Temperatura mínima: 100 °C</p> <p>Presión baja de combustible: <input type="checkbox"/> Activado</p> <p>Acción: Solo aviso</p> <p>Presión mínima: 1,5 bar</p> <p>Presión diferencial de combustible: <input type="checkbox"/> Activado</p> <p>Acción: Solo aviso</p> <p>Presión base - MAP: 3,0 bar</p> <p>Humedad de tolerancia: 0,8 bar</p>	<p>Exceso de rotación del turbo: <input type="checkbox"/> Activado</p> <p>Acción: Solo aviso</p> <p>RPM de turbo: 1 4000 RPM</p> <p>Limitador del circuito cerrado de inyección: <input type="checkbox"/> Activado</p> <p>Acción: Solo aviso</p> <p>Error en el sensor flex fuel: <input type="checkbox"/> Activado</p> <p>Acción: Solo aviso</p> <p>Presión de turbo por % de etanol: <input type="checkbox"/> Activado</p> <p>Acción: Solo aviso</p> <p>Error de lectura de RPM del motor: <input type="checkbox"/> Activado</p> <p>Acción: Solo aviso</p> <p>Temperatura eGate: <input type="checkbox"/> Activado</p>
---	--	--	--

Peak Pro Injector Driver

 Activado

Debe la acción en la ECU en caso de una falla diagnosticada por el Peak Pro Injector Driver

7.4 Información de eventos de estado

Mensaje	Posibles causas	Soluciones
Verificación de la integridad del módulo	Sensor de temperatura interno con lectura no estándar	Envíe el módulo Peak and Hold PRO Injector Driver para asistencia técnica de FuelTech
Inyector desconectado	Inyector defectuoso o límite de inyector alcanzado el 100%	Verifique el inyector
Inyector en cortocircuito	Conexión eléctrica incorrecta del arnés eléctrico defectuoso	Compruebe el arnés y la conexión de los inyectores.
Alerta de la integridad del módulo	El canal ha alcanzado el límite de temperatura de funcionamiento.	Verifique la ubicación de instalación del módulo, se recomienda una ubicación ventilada

7.5 Canales del registrador de datos

El Peak and Hold PRO Injector Driver tiene varios canales de Datalogger para monitorear varios parámetros del módulo.

P&H PRO A - Batería: muestra la tensión de alimentación del módulo.

P&H PRO A - Temperatura interna 1 y 2: registra la temperatura de las placas de procesamiento del módulo.

P&H PRO A - Tiempo para Peak (Cil X / A): registra el tiempo hasta que el inyector alcanza el estado Peak para cada inyector. Si la corriente no alcanza el valor configurado como Pico, el tiempo registrado será -1 (indicado como --).

Si tiene más de un Peak and Hold PRO Injector Driver en la misma instalación, los canales del registrador de datos se duplicarán con la diferencia de A y B.

Es posible que los inyectores de alta impedancia conectados al Peak and Hold Pro no alcancen la corriente máxima configurada durante el funcionamiento, por lo que el diagnóstico de tiempo para el pico dará un resultado de -1 (indicado como --).

8. Actualización de firmware

Esta función permite realizar una actualización de firmware cuando esté disponible para los módulos conectados a la red CAN de FuelTech.

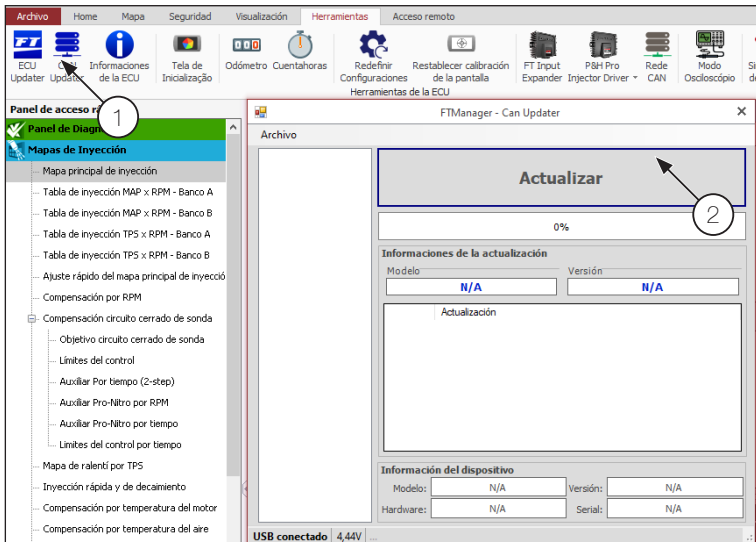
Para comprobar las actualizaciones disponibles, realice el procedimiento que se indica a continuación:

- Abra el software FTManager;
- Acceda al menú "Herramientas" y haga clic en el icono "CAN Updater" (1);
- Seleccione el producto que desea actualizar y haga clic en el botón "Actualizar" (2).
- Esta pantalla mostrará la versión y la información de serie del módulo seleccionado.
- Espere a que finalice la actualización, desconecte el cable USB.
- Encienda el interruptor y verifique si la actualización se realizó con normalidad.



IMPORTANTE

No realice el procedimiento de actualización con el motor en marcha.



9. Protocolo FTCAN 2.0

El Peak and Hold PRO Injector Driver tiene un diagnóstico avanzado de funcionamiento, fallas y problemas, que ayudan mucho a diagnosticar y monitorear el funcionamiento del módulo.

Cuando se usa junto con las ECUs de la serie PowerFT de FuelTech (FT450 o superior), esta programación ya está realizada en su ECU y no es necesaria ninguna programación adicional para recibir toda esta información, sin embargo cuando se usa el Peak and Hold PRO Injector Driver junto con otra ECU o un sistema de adquisición de datos que tiene un puerto de comunicación CAN y se puede programar, es posible tener acceso a todos estos datos para aprovechar al máximo los beneficios del Peak and Hold Injector Driver.

El documento completo para configurar la Red CAN está disponible en nuestro sitio. Para ello acceda al link <https://fueltech.com.br/pages/manuais-Espanhol> e descargue el manual Protocolo FTCAN 2.0

ES

MeasureID	DataID	Descripción	Unid	Multi	Broadcast (taxa)	
0x148	0x00A4	Tensión batería Driver 1	V	0,01	P&H Pro Injector Driver 10Hz	
0x14A	0x00A5	Tensión batería Driver 2				
0x14C	0x00A6	Temperatura interna 1 do Driver 1	°C			
0x14E	0x00A7	Temperatura interna 2 do Driver 1				
0x150	0x00A8	Temperatura interna 1 do Driver 2				
0x152	0x00A9	Temperatura interna 2 do Driver 2				
0x1B4	0x00DA	Tiempo para Peak (Cil 1 / A)	ms			1
0x1B6	0x00DB	Tiempo para Peak (Cil 2 / A)				
0x1B8	0x00DC	Tiempo para Peak (Cil 3 / A)				
0x1BA	0x00DD	Tiempo para Peak (Cil 4 / A)				
0x1BC	0x00DE	Tiempo para Peak (Cil 5 / A)				
0x1BE	0x00DF	Tiempo para Peak (Cil 6 / A)				

Peak and Hold PRO Injector Driver

MeasureID	DataID	Descrição	Unid	Multi	Broadcast (taxa)
0x1C0	0x00E0	Tiempo para Peak (Cil 7 / A)	ms	1	P&H Pro Injector Driver 10Hz
0x1C2	0x00E1	Tiempo para Peak (Cil 8 / A)			
0x1C4	0x00E2	Tiempo para Peak (Cil 9 / A)			
0x1C6	0x00E3	Tiempo para Peak (Cil 10 / A)			
0x1C8	0x00E4	Tiempo para Peak (Cil 11 / A)			
0x1CA	0x00E5	Tiempo para Peak (Cil 12 / A)			
0x1CC	0x00E6	Tiempo para Peak (Cil 1 / B)			
0x1CE	0x00E7	Tiempo para Peak (Cil 2 / B)			
0x1D0	0x00E8	Tiempo para Peak (Cil 3 / B)			
0x1D2	0x00E9	Tiempo para Peak (Cil 4 / B)			
0x1D4	0x00EA	Tiempo para Peak (Cil 5 / B)			
0x1D6	0x00EB	Tiempo para Peak (Cil 6 / B)			
0x1D8	0x00EC	Tiempo para Peak (Cil 7 / B)			
0x1DA	0x00ED	Tiempo para Peak (Cil 8 / B)			
0x1DC	0x00EE	Tiempo para Peak (Cil 9 / B)			
0x1DE	0x00EF	Tiempo para Peak (Cil 10 / B)			
0x1E0	0x00F0	Tiempo para Peak (Cil 11 / B)			
0x1E2	0x00F1	Tiempo para Peak (Cil 12 / B)			

ES

FuelTech

USA

455 Wilbanks Dr.
Ball Ground, GA, 30107, USA

Phone: +1 678-493-3835

E-mail: info@FuelTech.net
www.FuelTech.net



FuelTechUSA

BRASIL

Av. das Indústrias, 864,
Anchieta Porto Alegre, RS,
Brasil CEP 90200-290

Fone: +55 (51) 3019 0500

E-mail: sac@FuelTech.com.br
www.FuelTech.com.br



FuelTechEMS